



bar APR3110 Protran®
Pressure Transmitter

- ATEX and IECEx certified
- Designed for operation in zone 0, zone 20 and M1 mining
- Wide choice of low pressure ranges from 0-100 mbar
- Available in Absolute and Gauge reference
- Ideal for low pressure fluid and gas applications
- DNV GL certification available



DESCRIPTION

The APR3110 pressure transmitter is designed to meet the requirements of the majority of hazardous applications where accurate low pressure measurement is required.

Robustly constructed from stainless steel this range of pressure transmitters incorporates the latest silicon strain gauge technology together with a custom IC amplifier offering excellent stability and accuracy over a long service life.

Electrical connection is via a detachable DIN connector allowing easy access to zero and span adjustment. Standard pressure connection is 1/2" BSP, but other options are available. Pressure ranges are available from 0- 100 mbar to 0- 900 mbar. Suitable for use with low pressure fluid and gas applications.

The APR3110 is intended for installation and operation in zone 0, gas group IIC, temperature class T4 and zone 20 dust and M1 mining. ATEX and IECEx approval and protection is by intrinsic safety when used with a safety or isolation barrier.

DNV GL rules for classification of ships, high speed & light craft and DNV GL offshore standards.

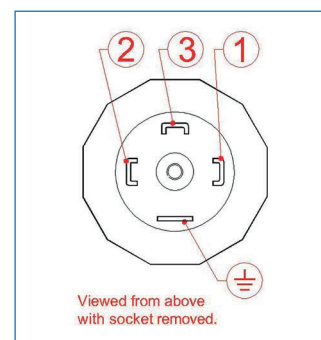
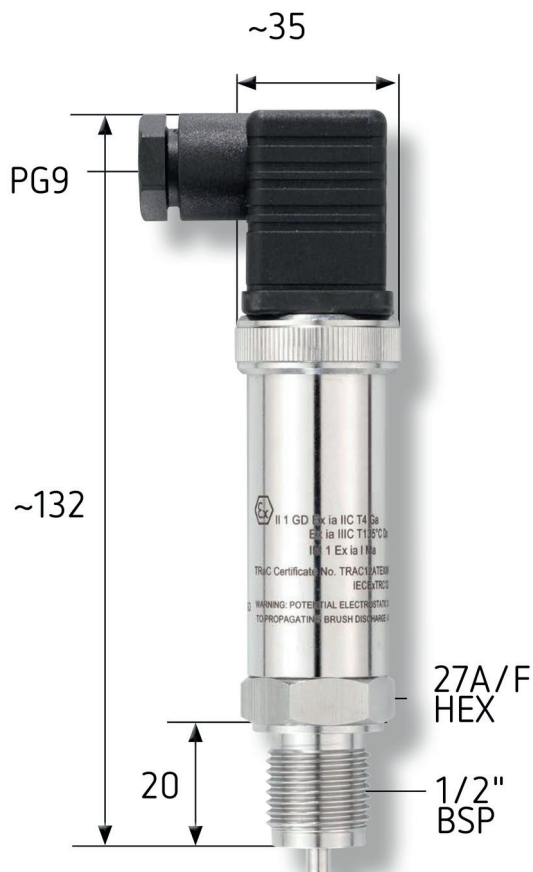




DIMENSIONS (in mm)

ELECTRICAL CONNECTION (mA)	
Pin No.	2 wire
1	+supply
2	4-20mA signal
3	not fitted
⏏	to case

ELECTRICAL CONNECTION (Vdc)		
Pin No.	4 wire	3 wire
1	-supply	common
2	+supply	+supply
3	+output	+output
⏏	-output	to case





TECHNICAL DATA

Type:	APR3110
Sensor Technology:	Isolated Piezoresistive Silicon
Output signal:	4 - 20 mA (2 wire)
Supply Voltage:	13 - 36 VDC
Pressure Reference:	Gauge or Absolute ranges from 500mbar
Protection of Supply Voltage:	Protected against supply voltage reversal up to 50 V
Standard Pressure Ranges (bar):	0-100 mbar, 0-200 mbar, 0 -250 mbar; 0-300 mbar; 0- 400 mbar, 0-500 mbar, 0-600 mbar, 0-750 mbar, 0-900 mbar (other ranges available)
Standard Pressure Ranges (psi):	0-1.5 psi; 0-3 psi; 0-4 psi; 0-7.5 psi; 0-15 psi (other ranges available)
Overpressure Safety:	6x for 100 mbar range; 3x for ranges 200 mbar to 900 mbar
Load Driving Capability:	4 - 20 mA: $R_L < [U_B - 13 V] / 20 \text{ mA}$ (e.g. with supply voltage (U_B) of 36V, max. load (R_L) is 1150 Ω)
Accuracy NLHR:	$\leq \pm 0.3 \%$ of span BFLS
Zero Offset and Span Tolerance:	$\pm 0.5\%$ FS at room temperature; $\pm 5 \%$ FS (approx.) adjustment with easy access trimming potentiometers
Operating Ambient Temperature:	-20 °C to +85 °C (-4 °F to +185 °F)
Operating Media Temperature:	-20 °C to +85 °C (-4 °F to +185 °F)
Storage Temperature:	+5 °C to +40 °C (+41 °F to +104°F) Recommended Best Practice
Temperature Effects:	$\pm 2 \%$ FS total error band for -20 °C to +70 °C. Typical thermal zero and span coefficients $\pm 0.03 \%$ FS/ °C
ATEX / IECEx Approval Option (4-20mA version only):	Ex II 1 G Ex ia IIC T4 Ga (zone 0) Ex II 1 D Ex ia IIIC T135 °C Da (zone 20) Ex I M 1 Ex ia I Ma (group 1 M1)
ATEX / IECEx Safety Values:	$U_i = 28 \text{ V}$ $I_i = 119 \text{ mA}$ $P_i = 0.65 \text{ W}$ $L_i = 0.1 \mu\text{H}$ $C_i = 74 \text{ nF}$ Temperature Range = -20 °C to +70 °C Max. cable length = 45 m
DNV GL Approval Class:	Temperature: D; Humidity: B; Vibration: B; EMC: B; Enclosure: C (contact sales for more information)
Electromagnetic Capability:	Emissions: EN61000-6-4; Immunity: EN61000-6-2; Certification: CE Marked
Insulation Resistance:	> 100 M Ω @ 50 VDC
Response time 10-90 %:	1 mS
Wetted Parts:	SAE 316 stainless steel and nitrile (NBR) seal
Pressure Media:	All fluids compatible with SAE 316 stainless steel and nitrile (NBR).
Pressure Connection:	1/4" BSP male (G1/4); 1/4" NPT male; 1/4" BSP male (G1/2); 1/2" NPT male (other options available)
Electrical Connection:	Mating socket EN175301-803 Form A (ex DIN43650) rated IP65 with PG9 cable entry (other options available)

Version | 05.2022



ORDER MATRIX

Output	Wires	Type	Certification	Pressure Range	Process Connection
4-20 mA	2	APR3110			
Certification section					
DNV-GL certification			M		
ATEX/ IECEx certified			EX		
DNV-GL & ATEX/IECEX certified			MX		
Pressure Range in bar					
0-100 mbar				00.1	
0-200 mbar				00.2	
0-250 mbar				0.25	
0-300 mbar				00.3	
0-400 mbar				00.4	
0-500 mbar				00.5	
0- 500 bar Absolute				0.5A	
0-600 mbar				00.6	
0-750 mbar				0.75	
0-900 mbar				00.9	
0- 900 mbar Absolute				0.9A	
Process Connection					
1/4" BSP male (G1/4)					AB
1/4" NPT male					AM
1/2" BSP male (G1/2)					AC
1/2" NPT male					AN

Order Number Example

APR3110 EX0.9A AC

For options not listed please contact sales team.