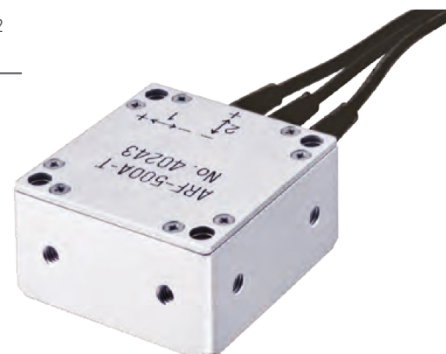
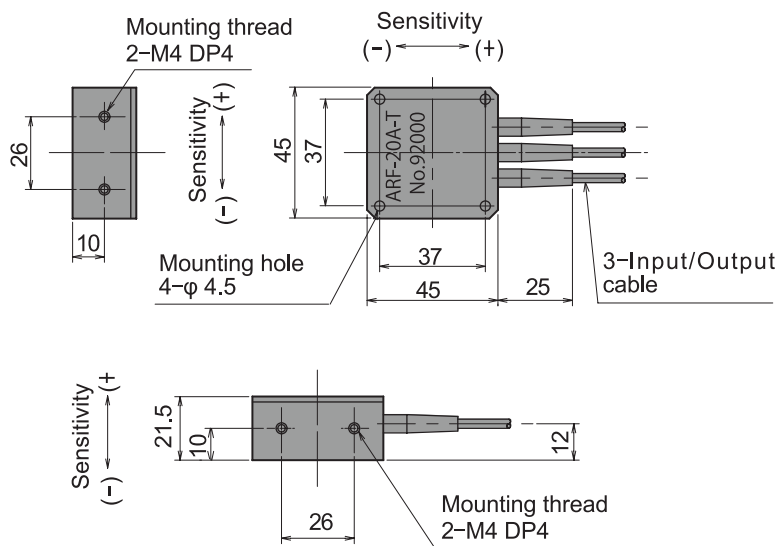


9 ARF-A-T
Low capacity Tri-axial Acceleration Transducer 20~500m/s²

- General purpose
- Low capacity
- Three directional measurement



The ARF-A-T acceleration transducer measures acceleration in three directions (X, Y and Z) simultaneously. It is small and lightweight and can make high-accuracy measurement with the least interference. Protection ratings: IP61 equivalent



SPECIFICATIONS

TYPE	ARF-20A-T	ARF-50A-T	ARF-100A-T	ARF-200A-T	ARF-500A-T
Capacity	20m/s ²	50m/s ²	100m/s ²	200m/s ²	500m/s ²
Rated Output	0.5mV/V(1000×10 ⁻⁶ strain)				
Non-linearity	1%RO				
Frequency response range (※)	DC~80Hz	DC~130Hz	DC~180Hz	DC~310Hz	DC~520Hz
Natural frequency	150Hz	240Hz	300Hz	520Hz	870Hz
Cross sensitivity	3%RO				
Allowable temperature range	-10 ~ +50°C				
Over load	300%				
Input/Output resistance	120Ω				
Recommended exciting voltage	2V or less				
Allowable exciting voltage	5V				
Weight	85g				

※Sensitivity deviation ±10%
Input/Output cable :φ 3.2mm 0.08mm² 4-core shielded vinyl cable 5m Shield of Input/Output cable is grounded to the body.