



N AZL Single Point Loadcell



Description

- Aluminum alloy
- Combined error = $\pm 0.02\%$ (0.017% c4)
- Protection class IP65



Capacity from 10 kg to 100 kg

CAPACITY	kg	ACCURACY CLASS					PLATFORM DIMENSION (mm)	NET WEIGHT OF LOAD CELL (kg)	CODE
		C3	C4						
10		•	–	•	•	•	400 x 400	0.4	AZL10
15		•	•	•	•	•	400 x 400	0.4	AZL15
20		•	•	•	•	•	400 x 400	0.4	AZL20
30		•	•	•	•	•	400 x 400	0.4	AZL30
50		•	•	•	•	•	400 x 400	0.4	AZL50
100		•	–	•	•	•	400 x 400	0.4	AZL100

ON REQUEST

Certifications



OIML R60 C3

CERTIFICATIONS ON REQUEST



ATEX II 1GD (zone 0-1-2-20-21-22)



IECEx (zone 0-1-2-20-21-22)

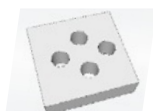


OIML R60 C4



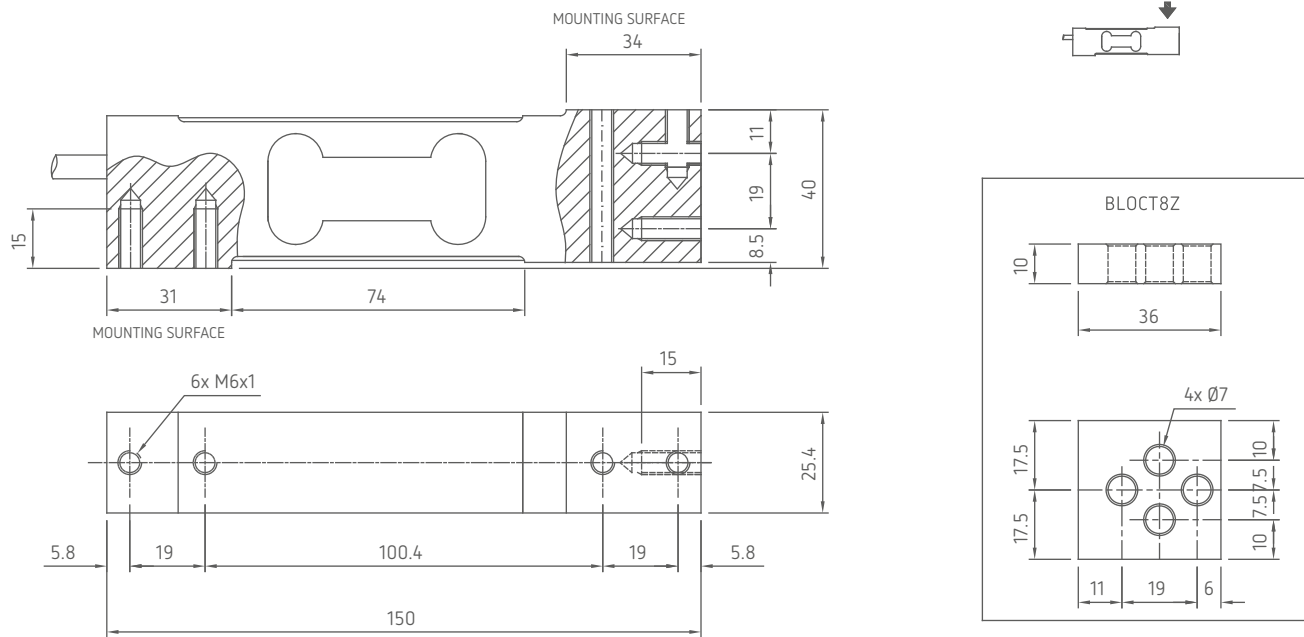
Complies with the Eurasian Custom Union regulations (Russia, Belarus, Kazakhstan)

Complementary accessories



DESCRIPTION	CODE
Galvanized steel drawn block.	BLOCT8Z

■ Dimensions (mm)



■ Technical features

Material	Aluminum alloy		
OIML R60 Accuracy class · Verification intervals	C3 · 3000	C4 · 4000	
Nominal load (E max)	10 - 15 - 20 - 30 - 50 - 100 kg	15 - 20 - 30 - 50 kg	
Minimum verification interval (V min)	E max / 12000	E max / 15000	
Combined error	≤±0.02%	≤±0.017%	
Protection class	IP65		
Rated output	2 mV/V ±10%	Input resistance	409 Ω ±6
Temperature effect on zero	0.0017% °C	Output resistance	350 Ω ±3
Temperature effect on span	0.0014% °C	Zero balance	≤±1%
Compensated temperature range	-10 °C / +40 °C	Insulation resistance	≥5000 MΩ
Operating temperature range	-35 °C / +65 °C	Safe overload (% of full scale)	150%
Creep at nominal load in 30 minutes	0.02%	Ultimate overload (% of full scale)	300%
Max supply voltage without damage	18 V	Deflection at nominal load	0.5 mm

■ Electrical connections

Cable length	6 m
Cable diameter	5 mm
Cores	6 x 0.20 mm ²

