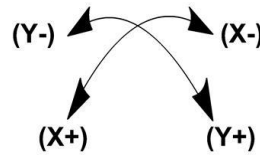




C875
Mini "Tuff Tilt" Digital Tiltmeter

The model 875 Mini "Tuff Tilt" Tiltmeter combines high precision and durability in a miniaturized and economical instrument package. Using MEMS technology, the 875 delivers superior measurement accuracy with virtually no long-term drift and a resolution of 0.05°. Output options include 0.5-4.5Vdc, 4-20mA and digital RS485. All units are rated IP67 waterproof for advanced protection from the elements. Use the 875 Mini "Tuff Tilt" for structural monitoring, angle measurement and control, platform leveling, testing and research, OEM and more. This product is RoHS compliant.



Static/Dynamic			
Angular Range ¹	±5°	±15°	±30°
Resolution	0.05°	0.05°	0.05°
Output Range (mA)	4-20	4-20	4-20
FRO Tolerance (% max)	±0.5	±0.5	±0.5
Scale Factor (mA/°)	1.600 ±0.008	0.533 ±0.003	0.267 ±0.002
SF Temp Coefficient (ppm/°C, max)	100	100	100
0° Output (mA max @ room temp.)	±0.500	±0.500	±0.500
0° Temp Coefficient (mA/°C max)	±0.02	±0.02	±0.02
Non-linearity (% FRO max)	2	2	2
Nonrepeatability (° max)	0.05	0.05	0.05
Transverse Axis Misalignment (° max)	±1	±1	±1
Relative Accuracy (° max)	0.10	0.15	0.27
Bandwidth (Hz nom) (-3 dB)	<1	<1	<1
Start Up Time (Seconds max)	2	2	2
Response Time (Seconds max)	0.3	0.3	0.3

Electrical & Environmental	
Number of Axes	1 or 2
Input Voltage Range (Vdc max)	9 - 30
Input Current (mA @ 24V max)	35
Output Noise (mA rms max)	0.03
Operating Temperature Range (°C)	-40 to +85
Storage Temperature Range (°C)	-50 to +105
Shock (g, 1 msec, 1/2 -sine)	500
Weight (grams)	210 (7.4 oz.)
Seal	IP67
Cable	2 M (6.6 ft), flying leads

¹Custom ranges available on request

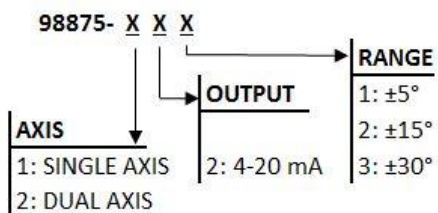
*Specifications subject to change without notice on account of continued product development

*Measurements are performed at room ambient temperature unless stated otherwise



ORDERING CODE

C875 SERIES



Output is linear with change in degrees tilt.

Wiring:

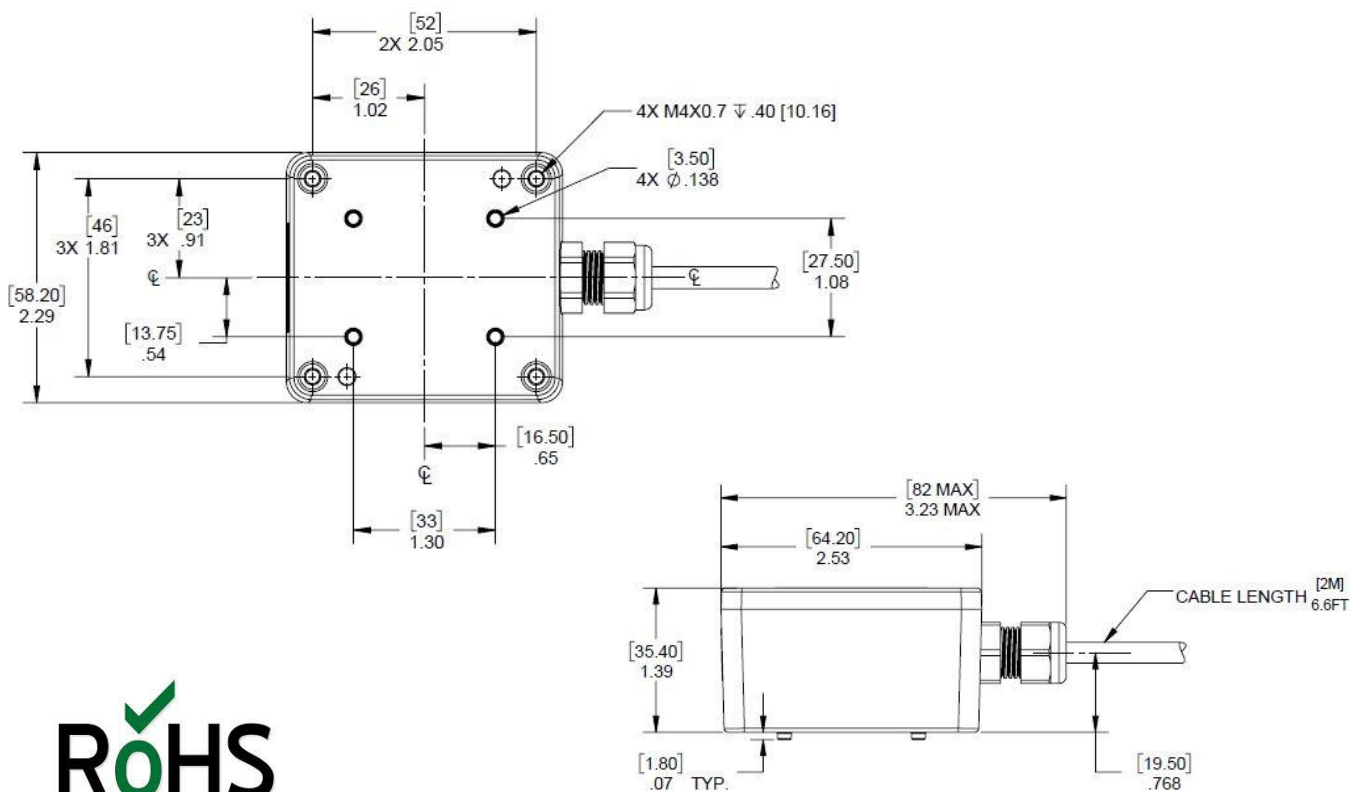
Wire Color	Function
Red	+Power
Black	Ground
Yellow	No Connection
Blue	No Connection
Green	Zero Cal.
White	X-Out
Brown	Y-Out
Grey	No Connection

DIMENSIONS (mm)

Model A875 Mini "Tuff Tilt" Dimensions

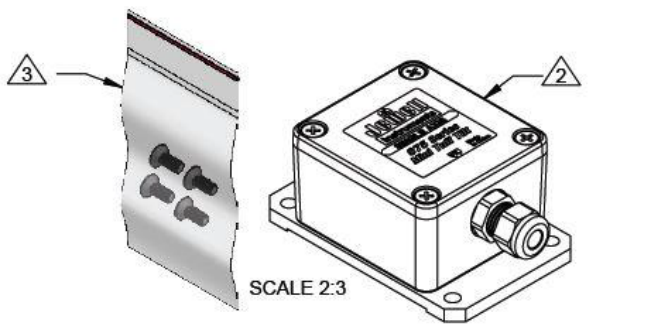
Units: Inch [MM]

Cable Length: 6.6 ft [2 M]

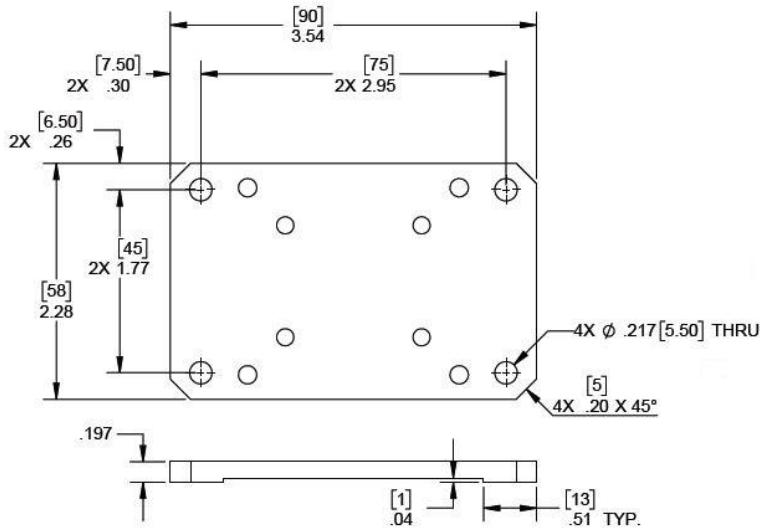




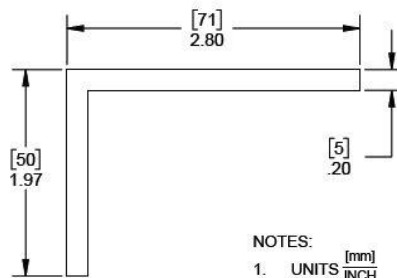
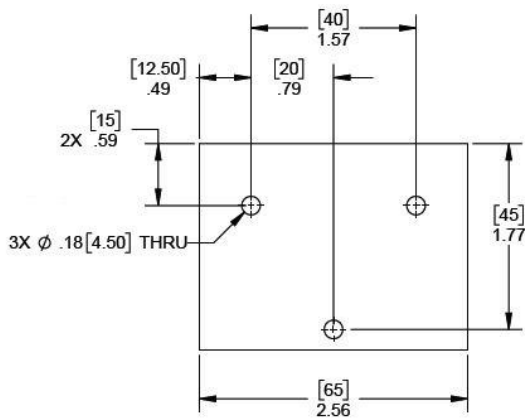
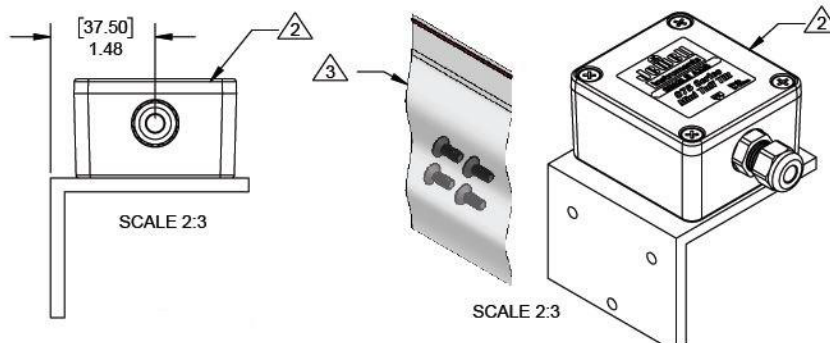
STRAIGHT MOUNTING BRACKET



- NOTES:
1. UNITS $\frac{[mm]}{[INCH]}$
2. SENSOR IS SOLD SEPERATLY
3. PLATE SHIPS WITH MOUNTING HARDWARE.



RIGHT ANGLE MOUNTING BRACKET



- NOTES:
1. UNITS $\frac{[mm]}{[INCH]}$
2. SENSOR IS SOLD SEPERATLY
3. PLATE SHIPS WITH MOUNTING HARDWARE.

HOW TO ORDER:

Model	Part Number	Description
875-SMB	879851-01	Straight Bracket
875-RAMB	879851-01	Right Angle Bracket