



**N** CO Cylindrical Loadcell



**Description**

- 17-4 ph stainless steel
- Combined error =  $\pm 0.017\%$
- Protection class IP68
- Lightning protection



Capacity 25000 kg

CAPACITY	kg	ACCURACY CLASS	IECEx	Ex	EAC	NET WEIGHT OF LOAD CELL (kg)	CODE
		C4				2.4	C025
ON REQUEST							

**Certifications**

OIML R60 C4

CERTIFICATIONS ON REQUEST

ATEX II 1GD (zone 0-1-2-20-21-22)

IECEx (zone 0-1-2-20-21-22)

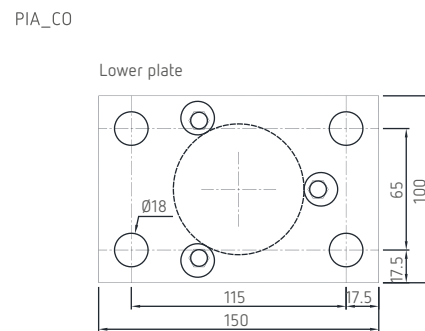
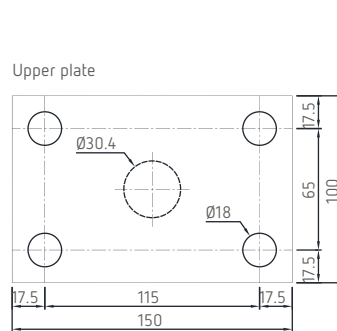
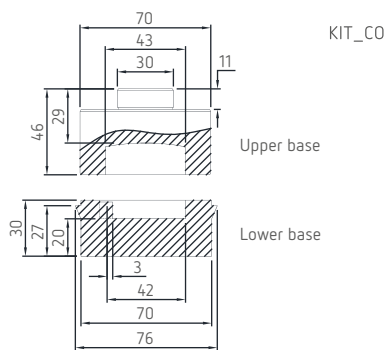
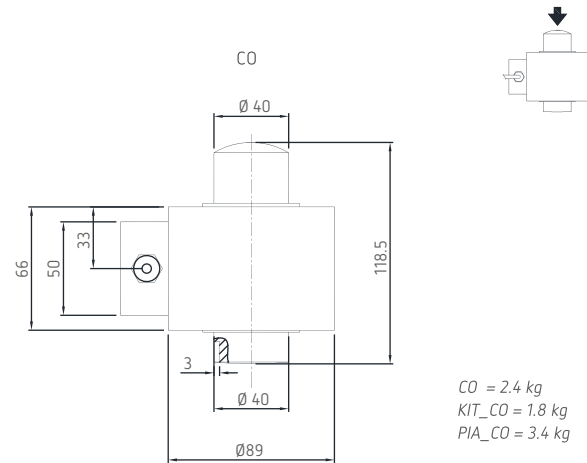
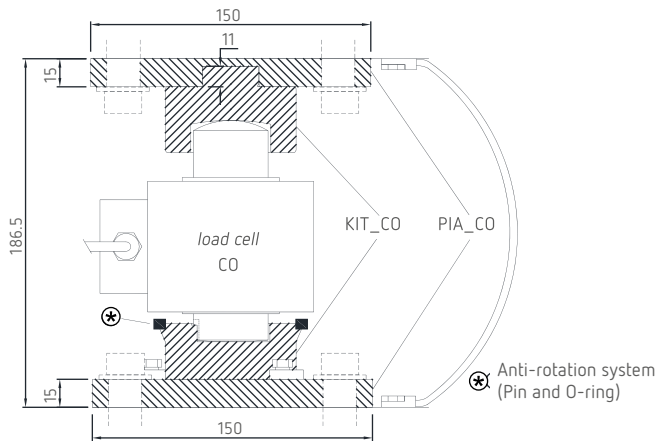
Complies with the Eurasian Custom Union regulations (Russia, Belarus, Kazakhstan)

**Complementary accessories**



DESCRIPTION	CODE
Kit composed by 2 stainless steel bases.	KIT_CO
Kit composed by 2 special steel plates (upper and lower) for KIT_CO bases.	PIA_CO

## ■ Dimensions (mm)



## ■ Technical features

Material	17-4 PH stainless steel		
OIML R60 Accuracy class - Verification intervals	C4 - 4000		
Nominal load (E max)	25000 kg		
Minimum verification interval (V min)	E max / 15000		
Combined error	±0.017%		
Protection class	IP68		
Rated output	2 mV/V ±1%	Input resistance	700 Ω ±7
Temperature effect on zero	0.002% °C	Output resistance	700 Ω ±7
Temperature effect on span	0.002% °C	Zero balance	±1%
Compensated temperature range	-10 °C / +40 °C	Insulation resistance	≥5000 MΩ
Operating temperature range	-30 °C / +65 °C	Safe overload (% of full scale)	150%
Creep at nominal load in 30 minutes	0.02%	Ultimate overload (% of full scale)	300%
Max supply voltage without damage	18 V	Deflection at nominal load	0.6 - 1 mm

## ■ Electrical connections

Cable length	15 m
Cable diameter	5 mm
Cores	4 x 0.24 mm <sup>2</sup>

