



**N** COL Cylindrical Loadcell



**Description**

- 17-4 ph stainless steel
- Combined error =  $\pm 0.013\%$
- Protection class IP68

MOUNTING KITS



VCOKDTL



Capacity from 30000 kg to 60000 kg

CAPACITY	kg	ACCURACY CLASS C4				NET WEIGHT OF LOAD CELL (kg)	CODE
30000		•	•	•		2.5	COL30000
60000		•	•	•		3.5	COL60000

ON REQUEST

**Certifications**

OIML R60 C4

CERTIFICATIONS ON REQUEST

ATEX II 1GD (zone 0-1-2-20-21-22)

IECEx (zone 0-1-2-20-21-22)

Complies with the Eurasian Custom Union regulations (Russia, Belarus, Kazakhstan)

**Complementary accessories**

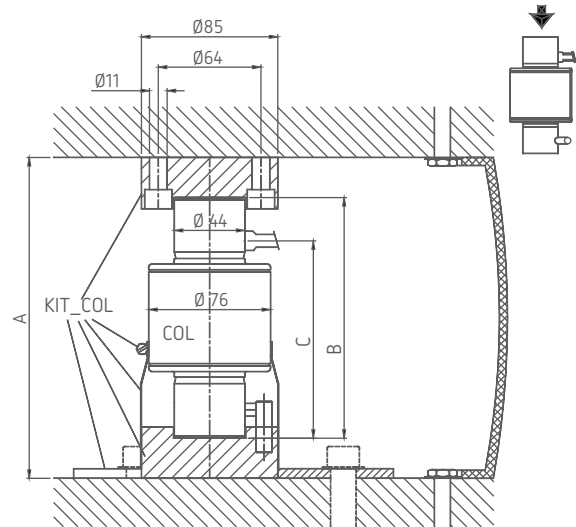
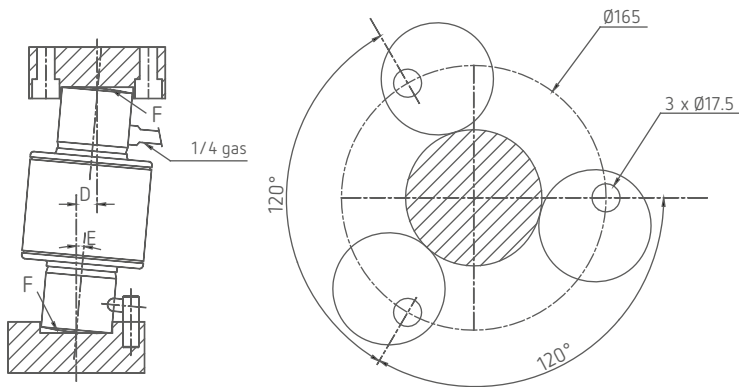
DESCRIPTION	CODE
-------------	------



AISI 420 hardened stainless steel mounting kit composed by protective rubber seal, 2 bases (upper and lower) and 3 self-centering cylindrical plates.

KIT\_COL

**■ Dimensions (mm)**



	A	B	C	D max.	E (max. angle)	F (curvature radius)	weight
COL 30000	200	150	123	13	5°	160°	2.3 kg
COL 60000	260	210	153	11	3°	220°	3.7 kg

KIT\_COL weight = 3 kg

**■ Technical features**

Material	17-4 PH stainless steel		
OIML R60 Accuracy class · Verification intervals	C4 · 4000		
Nominal load (E max)	30000 - 60000 kg		
Minimum verification interval (V min)	E max / 10000		
Combined error	≤±0.013%		
Protection class	IP68		
Rated output	2 mV/V ±0.1% *	Input resistance	800 Ω ±30
Temperature effect on zero	0.002% °C	Output resistance	700 Ω ±10
Temperature effect on span	0.0012% °C	Zero balance	±2%
Compensated temperature range	-10 °C / +40 °C	Insulation resistance	≥5000 MΩ
Operating temperature range	-30 °C / +70 °C	Safe overload (% of full scale)	120%
Creep at nominal load in 30 minutes	0.016%	Ultimate overload (% of full scale)	200%
Max supply voltage without damage	15 V	Deflection at nominal load	0.6 - 1 mm

\* Calibrated current output

**■ Electrical connections**

Cable length	20 m
Cable diameter	6 mm
Cores	6 x 0.22 mm <sup>2</sup>

