



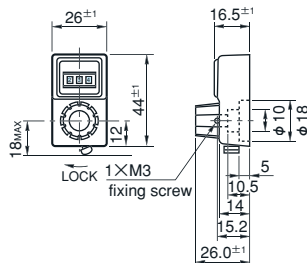
DB Turns-counting Dials Digital Type Potentiometer

Standard Dimensions

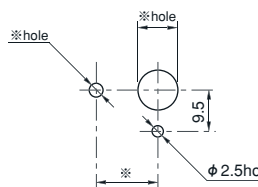


Model DB10-26B
(3 digits indication)

Model DB10-26B DB100-26B



Panel Arrangements

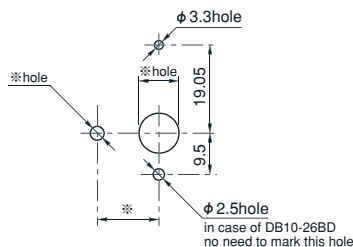
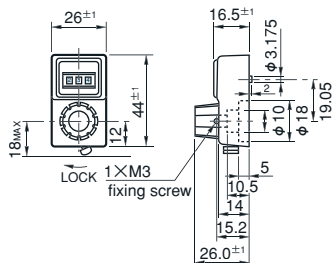


Note: The diameter of ※hole is depending on the diameter of potentiometer to be mounted.



Model DB100-26B
(4 digits indication)

Model DB10-26BA DB100-26A (with an anti-rotation pin on the rear side of the case)
Model DB10-26BD (with an anti-rotation pin on the rear side of the case and without a flexible coupling)

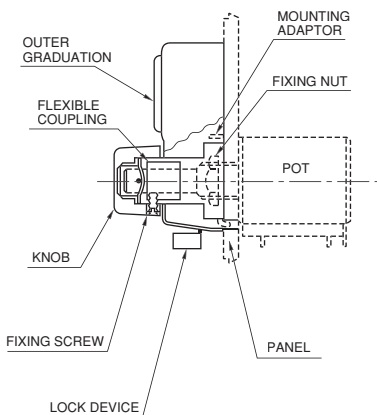


Note: The diameter of ※hole is depending on the diameter of potentiometer to be mounted.

General specification

Model no.	Numbers of Turns-Counting	Max. Indication	Matching Shaft Dia. (mm)		Combinable Helicalohm Pot. (Matching shaft length of 25mm)	Standard Color of Case	Flexible coupling	Lock Device	Operating Temperature Range	Mass (Approx. g)
			Standard	Special						
DB10-26B	10	999	6	3, 3.175 4, 6.35	20HP 46HD 22HP 20HHP 22HHP 25HP	Ivory	Yes	Yes	-30°C ~ +85°C	60
DB10-26BA	10	999				Silver	Yes			
DB10-26BD	10	999				Silver	No			
DB100-26B	100	9999				Ivory	Yes			

Note: DB10-26BD version does not attach mounting adaptor and nut, because such mounting hardware does not need when mounting this dial and the potentiometer.



Special Specifications Available

- Special colors on housing and spin plate on the top of the knob (Black, etc.)
- Special graduation such as with a decimal point, comma, etc.

Construction of DB Dials and How to mount DB Dials.

The mounting adaptor as well as specially shaped nut only for use with Model DB series Dials and Helicalohm pot. are fixed on the panel according to the illustration given the left.

The shaft of the Helicalohm pot. is turned anticlockwise to its limit and is put into the mounting hole of the dial which is already set at „000“. At the same time, 3 projections of the mounting adaptor are inserted in 3 receiving holes prepared on the base plate of the dial and then all parts should be pressed on the panel firmly to eliminate any space. The shaft of the potentiometer is fixed by the hexagonal nut positioned in the knob of the dial by screwing it with an attached hexagonal wrench. With this, the mounting is completed.

CAUTION: When rotating DB dial with a flexible coupling mounted with multi-turn potentiometer with over 0.2N·m, the flexible coupling may be damaged or broken. So, please take care of this point during its operation.

The information provided herein is to the best of our knowledge true and accurate, it is provided for guidance only. All specifications are subject to change without prior notification.

Althen – Your expert partner in Sensors & Controls | althensensors.com

Althen stands for pioneering measurement and custom sensor solutions. In addition we offer services such as calibration, design & engineering, training and renting of measurement equipment.

Germany / Austria / Switzerland
info@althen.de

Benelux
sales@althen.nl

France
info@althensensors.fr

Sweden
info@althensensors.se

USA / Canada
info@althensensors.com

Other countries
info@althensensors.com