



## EP1 Series

### FEATURES

- Robust pedal, applicable for severe environment
- Non-contacting Hall effect technology, high reliability, long lifetime
- Select redundant output, each independent power supply

### APPLICATIONS

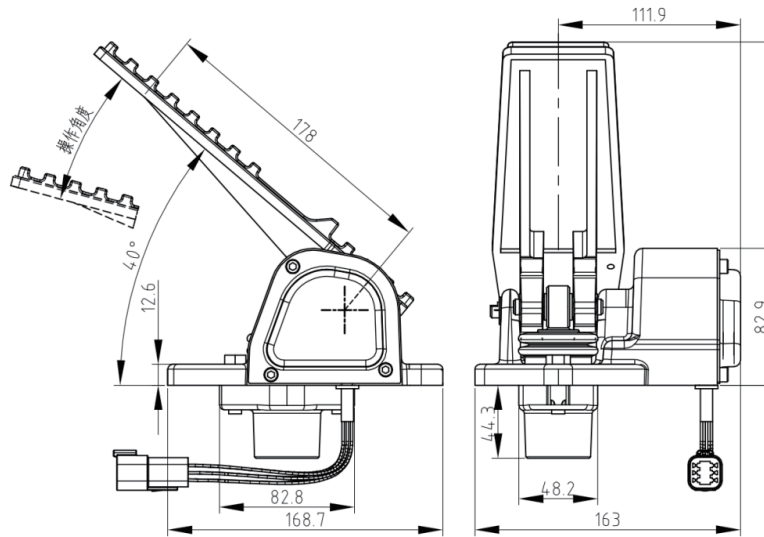
- Electro-hydraulic control system
- Electronic throttle control
- Loading vehicles



### SPECIFICATIONS

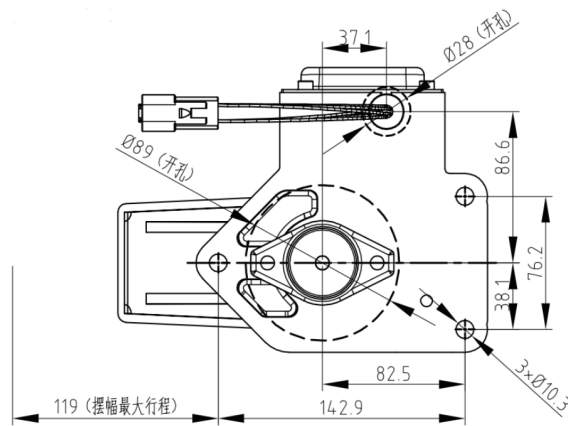
Mechanical data	
Operating Angle	Appr. 2N
Operating force	Start position: Appr. 30N Maximum travel position: Appr. 178N
Mechanical life	>1 million cycles
Product weight	Appr. 2500g
Electrical data	
Supply Voltage (Vs)	5.0±0.5Vdc
Power current consumption	<15mA
Output linearity tolerance	±3%
Maximum overload voltage	24Vdc
Maximum reverse voltage	-12Vdc
Load resistance	10KΩ
Environmental data	
Operating temperature	-30°C~+70°C
Storage temperature	-40°C~+85°C
Protection class	IP ratings may vary from model to model, for more information, please consult our sales staff
* The measuring point is 178mm from the pivot center	

**OUTLINE DIMENSIONS (UNIT:mm)**



Base size

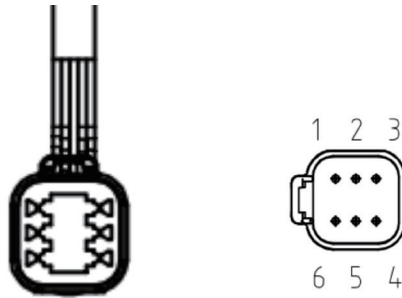
**MECHANICAL INSTALLATIONS**



Mounting diagram

**ELECTRICAL CONNECTIONS**

No.	Color	Function description
1	Red	VCC 1
2	Black	GND 1
3	Blue	OUT 1
4	White	VCC 2
5	Grey	GND 2
6	Yellow	OUT 2



Deutsch connector (connector model: DT04-6P)  
Mating connector: DT06-6S  
Cable wiring, divide by line color

**ORDER GUIDE**

**For instance:**

Customer requirement: EP1 series Hall effect single axis electronic pedal, without micro switch, operating angle is 25°, Hall effect, Supply voltage 5Vdc, 10%~50%~90%Vs ratiometer output, cable wiring

Ordering codes: EP1-N-25-H11-L

EP1		Hall effect single axis electronic pedal			
	<b>Code</b>	<b>Micro switch</b>			
	N	Without micro switch			
	S1	Configure one micro switch, center switch			
		<b>Code</b>	<b>Operating Angle</b>		
		25	Operating angle is 25°		
			<b>Code</b>	<b>Output Signal</b>	
			H11	Supply voltage 5Vdc, 10%~50%~90%Vs output	
			H13	Supply voltage 5Vdc, 20%~50%~80%Vs output	
			H14	Supply voltage 5Vdc, 25%~50%~75%Vs output	
			H21	Supply voltage 5Vdc, 10%~50%~90%Vs and 90%~50%~10%Vs redundant output	
			H23	Supply voltage 5Vdc, 20%~50%~80%Vs and 80%~50%~20%Vs redundant output	
			H24	Supply voltage 5Vdc, 25%~50%~75%Vs and 75%~50%~25%Vs redundant output	
				<b>Code</b>	<b>Wiring</b>
				L	Cable wiring (AF200, 22#, length 350mm)
				D	Deutsch connector (connector model: DT04-6P)
<b>EP1</b>	<b>N</b>	<b>25</b>	<b>H11</b>	<b>L</b>	<b>Complete Type Specification</b>