



EP2 Series

FEATURES

- Ergonomic design, comparable to the hydraulic foot pedal device
- Non-contacting Hall effect technology, high reliability, long lifetime
- Configurable with damped or non - damped structure
- IP67S (electronic part)
- Optional 1 to 2 CAN bus communication interface

APPLICATIONS

- Different engineering vehicle models, lifting machinery, agricultural machinery, road machinery, earthwork machinery



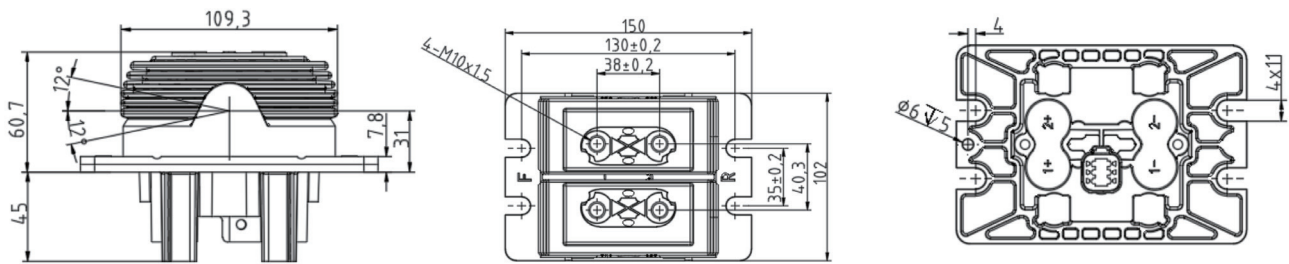
SPECIFICATIONS

Mechanical data	
Travel angle	Appr.±12° (spring return)
Operation torque	6N.M~12N.M (spring return, operation torque)
Mechanical life	>2 million cycles (spring return)
Product weight	Appr. 3000g
Electrical data	
Analog/Hall voltage output	
Supply Voltage (Vs)	5.0±10%Vs or 9~32Vdc
Power current consumption	<35mA (per channel)
Center Voltage	2.5V±4%Vs
Output linearity tolerance	±3%
Maximum overload voltage	36Vdc
Maximum reverse voltage	-12Vdc
Load resistance	>10KΩ
CAN bus	
Supply Voltage (Vs)	9~32Vdc
Power current consumption	< 100mA (24V)
CAN version	CAN2.0b
CAN protocol	J1939 protocol or CAN OPEN protocol
CAN channel	1 channel or 2 channel
Baud rate	250Kbps (J1939protocol) 10Kbps~1Mbps (CAN OPEN protocol)

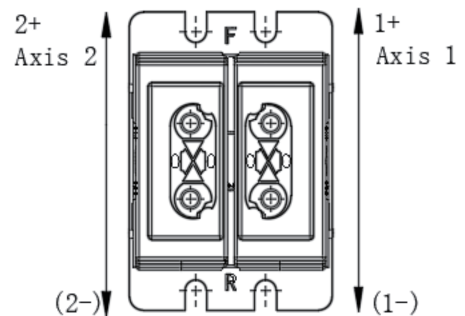
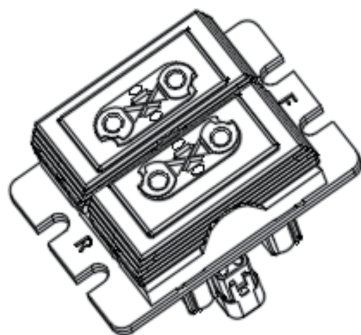
SPECIFICATIONS (CONTINUED)

PWM channel	
Supply Voltage (Vs)	5.0±10%Vs or 9~32VDC
Power current consumption	<35mA (per channel)
Center duty cycle	50%V±2.7%
Environmental data	
Operating temperature	-20°C~+65°C
Storage temperature	-40°C~+85°C
Protection class	IP ratings may vary from model to model, for more information, please consult our sales staff
EMC	EN6100-6-4-2007, 30MHz-1GHz , EN6100-6-2-2019, 80MHz-6GHz
Impact	IEC60068-2-27, 50g, 11ms, 3 hits / direction, for 6 directions
Vibration	IEC60068-2-64, random vibration, 3.6gRMS, 100-200Hz, each axis lasts for one hour

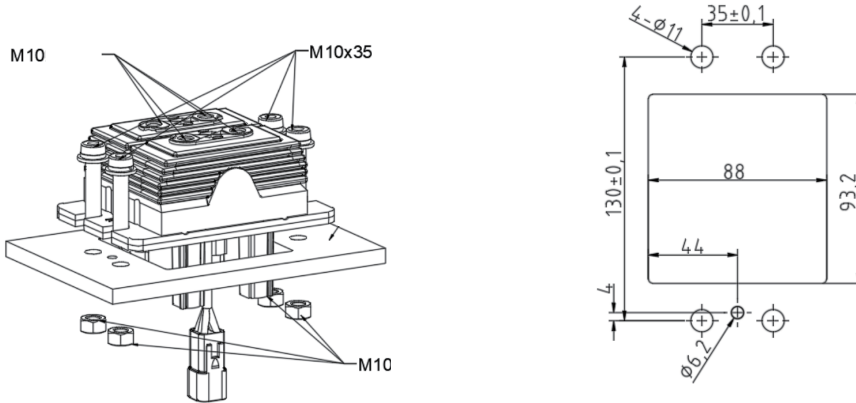
OUTLINE DIMENSIONS (UNIT:mm)



Direction diagram



MECHANICAL INSTALLATIONS



Note: 3mm ≤ The thickness of the panel ≤ 5mm

ORDER GUIDE

EP2		Double pedal with damping foot pedal		
	Code	Output Signal		
	H11	Supply voltage 5Vdc, 10%~50%~90%Vs output		
	H21	Supply voltage 5Vdc, 10%~50%~90%Vs and 90%~50%~10%Vs redundant output		
	W11	Supply voltage 9~32Vdc, 0.5~2.5~4.5V ratiometric output		
	W21	Supply voltage 5Vdc, 10%~50%~90%Vs and 90%~50%~10%Vs redundant ratiometric output		
	J1939A	CAN bus output, J1939 protocol		
	J1939B	Dual channel CAN bus outpt, J1939 protocol		
	CAA	CANbus output, CAN OPEN protocol		
	CAB	Dual CAN bus outpt, CAN OPEN protocol		
	PWM01	PWMoutput, rate 500±75Hz, 5%~50%~95%		
	PWM02	PWMoutput, rate 500±75Hz, 5%~50%~95% and 95%~50%~5%		
		Code	Damper	
		N	Without damper	
		D	With damper	
		Code	Wiring	
		D	Deutsch connector (Deutsch DTM04-6P)	
		L	Cable wiring (length 450mm)	
EP2	H11	N	D	Complete Type Specification