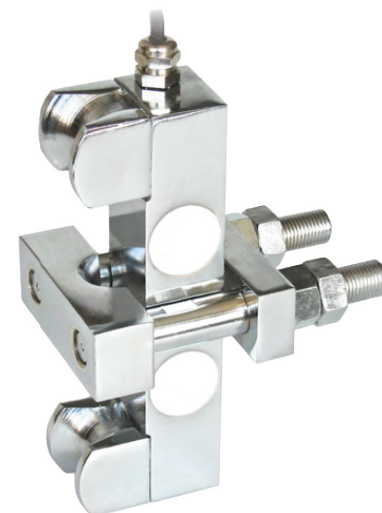




N FUN
Load cells for wire rope measuring



Manufactured according to OIML R60 standards



Capacity from 2000 kg to 40000 kg

FEATURES

- Aisi 4140 nickel plated steel
- Load limiting accuracy $\pm 2\%$ on full scale
- Protection class ip67
- Suitable as load limiter for lifting equipment
- Rapid mounting (also on pre-existing lifting systems)

WIRE ROPE TENSION

WIRE ROPE TENSION	kg	DIAMETER ROPE (mm)	NET WEIGHT (kg)	CODE
up to	2000	$\varnothing 6 \div \varnothing 14$	2.4	FUN6141T1T
up to	4000	$\varnothing 10 \div \varnothing 18$	2.4	FUN10182T1T
up to	10000	$\varnothing 16 \div \varnothing 26$	2.4	FUN16265T2T
up to	20000	$\varnothing 24 \div \varnothing 36$	7.5	FUN243610T3T
up to	40000	$\varnothing 24 \div \varnothing 36$	7.5	FUN243620T5T

CERTIFICATIONS

EAC Complies with the Eurasian Customs Union standards

UK CA Equivalent of the CE marking for the United Kingdom

CERTIFICATIONS ON REQUEST

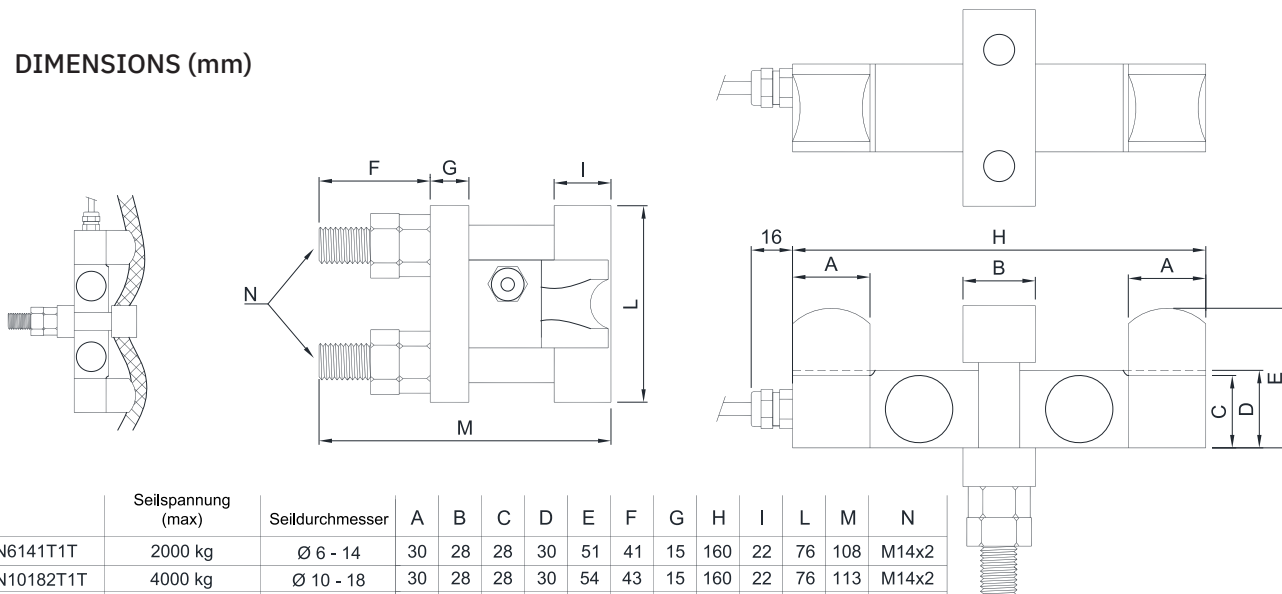
Ex ATEX II 1GD (zone 0-1-2-20-21-22) (**CE - UK CA**)

IECEx IECEx (zone 0-1-2-20-21-22)

EAC Ex Complies with the Eurasian Customs Union standards for use in potentially explosive atmospheres



DIMENSIONS (mm)



	Seilspannung (max)	Seildurchmesser	A	B	C	D	E	F	G	H	I	L	M	N
FUN6141T1T	2000 kg	Ø 6 - 14	30	28	28	30	51	41	15	160	22	76	108	M14x2
FUN10182T1T	4000 kg	Ø 10 - 18	30	28	28	30	54	43	15	160	22	76	113	M14x2
FUN16265T2T	10000 kg	Ø 16 - 26	30	28	28	30	56	43	15	160	22	76	119	M14x2
FUN243610T3T	20000 kg	Ø 24 - 36	45	39	40	45	82	67	24	260	34	108	173	M18x2,5
FUN243620T5T	40000 kg	Ø 24 - 36	45	39	40	45	82	67	24	260	34	108	173	M18x2,5

SCREW TIGHTENING TORQUES

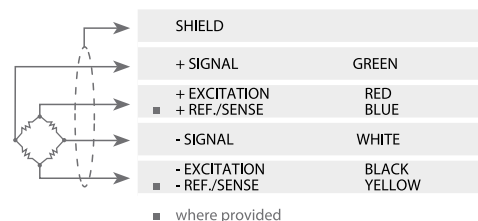
Diameter of the steel cable (mm)	5	6 - 6.5	7 - 8	9 - 10	11 - 13	14	15 - 16	17 - 19	20 - 22	23 - 26	28 - 30	32 - 34	36 - 40
Tightening torque (Nm)	2.0	5.2	6.0	9.0	20	25	30	42	51	67	75	88	106

TECHNICAL FEATURES

Material	AISI 4140 nickel plated steel		
Nominal load (E max)	2000 - 4000 - 10000 - 20000 - 40000 kg		
Load limiting accuracy on full scale	±2%		
Protection class	IP67		
Rated output	3 mV/V ± 0.1%	Input resistance	450/750/1050 Ω ±50
Temperature effect on zero	0.005% °C	Output resistance	350/700/1000 Ω ±20
Temperature effect on span	0.005% °C	Zero balance	± 2%
Compensated temperature range	-10 °C / + 50 °C	Insulation resistance	> 5000 MΩ
Operating temperature range	-30 °C / + 70 °C	Safe overload (% of full scale)	150%
Creep at nominal load in 30 minutes	0.03%	Ultimate overload (% of full scale)	200%
Max supply voltage without damage	15 V	Deflection at nominal load	0.5 mm

ELECTRICAL CONNECTIONS

Cable length	6 m
Cable diameter	5 mm
Cores	4/6 x 0.14 mm ²



The Company reserves the right to make changes to the technical data, drawings and images without notice.

Page 2 / 2

The information provided herein is to the best of our knowledge true and accurate, it is provided for guidance only. All specifications are subject to change without prior notification.

Althen – Your expert partner in Sensors & Controls | althensensors.com

Althen stands for pioneering measurement and custom sensor solutions. In addition we offer services such as calibration, design & engineering, training and renting of measurement equipment.

Germany/Austria/Switzerland
info@althen.de

Benelux
sales@althen.nl

France
info@althensensors.fr

Sweden
info@althensensors.se

USA/Canada
info@althensensors.com

Other countries
info@althensensors.com