



g JMA-100/200/300-D

Description

The JMA-100/200/300 series is available in single (JMA-100), dual (JMA-200) and triple (JMA-300) axis configurations. This presents a robust and rugged design for industrial use, but with the benefit of low-cost MEMS technology.



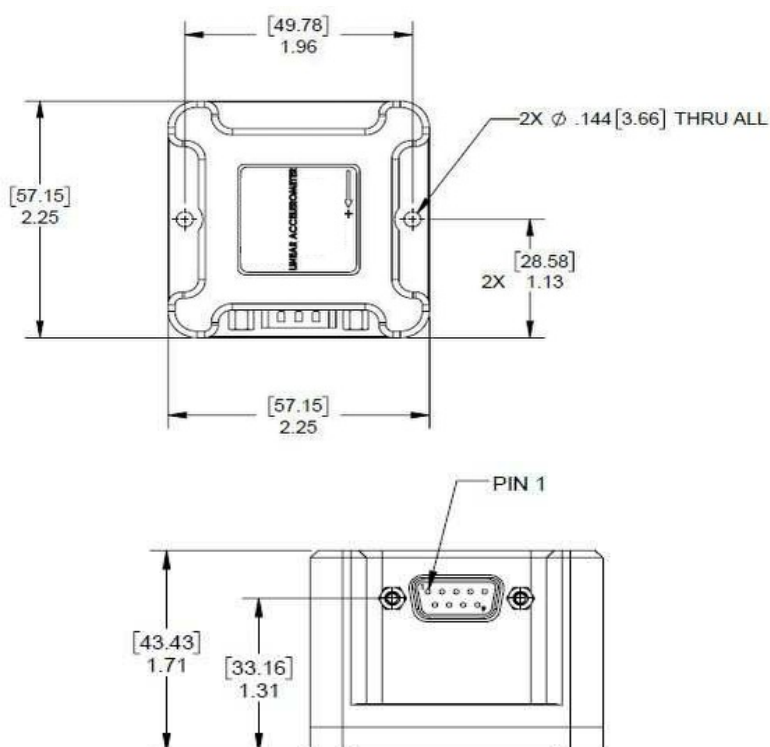
Features

- ± 0.5 g, ± 1.0 g and ± 1.5 g ranges
- Robust and Rugged Enclosure
- Single, Dual and Tri-Axis Models Available
- Low-Cost MEMS Technology
- RoHS Compliant
- Filtering Available
- Single Power Input
- ± 5 VDC Output
- Temperature Sensor Option Available
- IP65 Seal

Applications

- Vehicle Testing
- Railway Maintenance & Testing
- Acceleration/Deceleration Control
- Aerospace/Space Craft Testing
- Lateral Train Control

Outline Diagram



Pin Out

Pin #	Function
1	+Vin
2	Pwr Gnd
3	N/C
4	X Out
5	Y Out
6	Z Out
7	Sig Rtn
8	Temp Out
9	N/C

Performance Specifications

STATIC/DYNAMIC

Measurement Range ¹ (g)	±0.5	±1	±1.5
Output Voltage Range (VDC)	±5.00	±5.00	±5.00
Scale Factor Tolerance (mg)	±5	±10	±15
Scale Factor Temp. Coefficient (PPM/°C max)	150	150	150
Bias (g max)	±0.01	±0.01	±0.02
Bias Temp. Sensitivity (mg/°C max)	1	0.5	0.5
Transverse Axis Misalignment (° max)	±0.5	±0.5	±0.5
Resolution and Threshold (mg max)	0.04	0.04	0.04
Non-linearity (% FRO max)	0.05	0.05	0.08
Nonrepeatability, Hysteresis (mg max)	0.07	0.07	0.07
Bandwidth (Hz nom) (-3 dB)	100	100	100
Cross Axis Sensitivity (g/g max)	0.01	0.005	0.005
Warm Up Time (Seconds max)	0.5	0.5	0.5

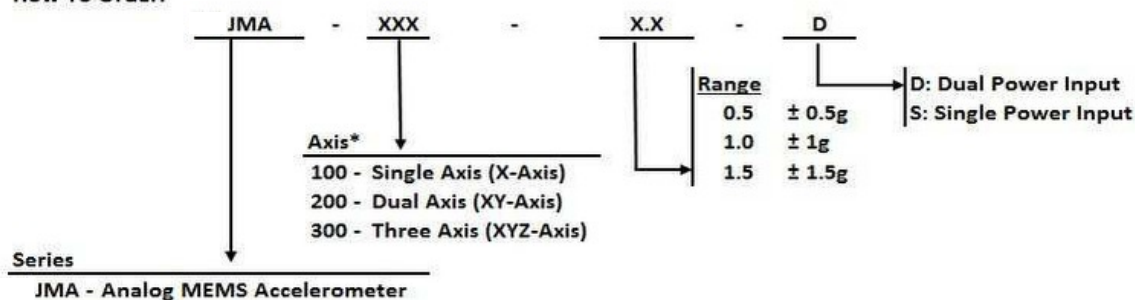
ELECTRICAL AND ENVIRONMENTAL

Number of Axes	1, 2 or 3
Input Voltage Range (VDC) Input	±12 to ±18
Current (mA max)	±8
Output Noise (grms max) Output	0.005
Impedance (Ohms nom) Operating	1
Temp. Range (°C) Storage Temp.	-40 to +85
Range (°C)	-40 to +95
Shock	100 g, 0.011 sec, ½ sine
Weight (grams)	165 (1 axis), 170 (2 axes), 180 (3 axes)
Seal	IP65

Notes: 1 - Custom ranges available on request.

Order code

How To Order:



Example: JMA-100-0.5-D = JMA series, single axis, ±0.5g range, dual power input

***Call factory for customized axis configurations**

Single Axis	Dual Axis Part Numbers	Triple Axis Part Numbers
JMA-100-0.5-D	JMA-200-0.5-D	JMA-300-0.5-D
JMA-100-1.0-D	JMA-200-1.0-D	JMA-300-1.0-D
JMA-100-1.5-D	JMA-200-1.5-D	JMA-300-1.5-D



g JMA-100/200/300-L



Description

The JMA-100/200/300 series is available in single (JMA-100), dual (JMA-200) and triple (JMA-300) axis configurations. This presents a robust and rugged design for industrial use, but with the benefit of low-cost MEMS technology.

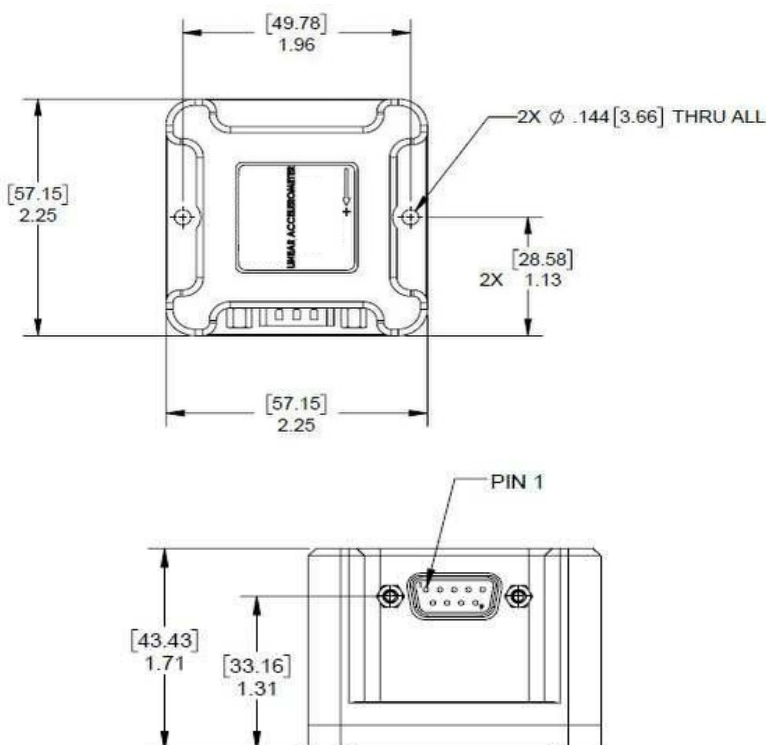
Features

- ± 0.5 g, ± 1.0 g and ± 1.5 g ranges
- Robust and Rugged Enclosure
- Single, Dual and Tri-Axis Models Available
- Low-Cost MEMS Technology
- RoHS Compliant
- Filtering Available
- Single Power Input
- 4-20mA Output
- Temperature Sensor Option Available
- IP65 Seal

Applications

- Vehicle Testing
- Railway Maintenance & Testing
- Acceleration/Deceleration Control
- Aerospace/Space Craft Testing
- Lateral Train Control

Outline Diagram



Pin Out

Pin #	Function
1	+Vin
2	Pwr Gnd
3	N/C
4	X Out
5	Y Out
6	Z Out
7	Sig Rtn
8	Temp Out
9	N/C

Performance Specifications

STATIC/DYNAMIC

Measurement Range ¹ (g)	±0.5	±1	±1.5
Output Current Range (mA)	4-20	4-20	4-20
Scale Factor Tolerance (mg)	±5	±10	±15
Scale Factor Temp. Coefficient (PPM/°C max)	150	150	150
Bias (g max)	±0.01	±0.01	±0.02
Bias Temp. Sensitivity (mg/°C max)	1	0.5	0.5
Transverse Axis Misalignment (° max)	±0.5	±0.5	±0.5
Resolution and Threshold (mg max)	0.04	0.04	0.04
Non-linearity (% FRO max)	0.05	0.05	0.08
Nonrepeatability, Hysteresis (mg max)	0.07	0.07	0.07
Bandwidth (Hz nom) (-3 dB)	100	100	100
Cross Axis Sensitivity (g/g max)	0.01	0.005	0.005
Warm Up Time (Seconds max)	0.05	0.05	0.05

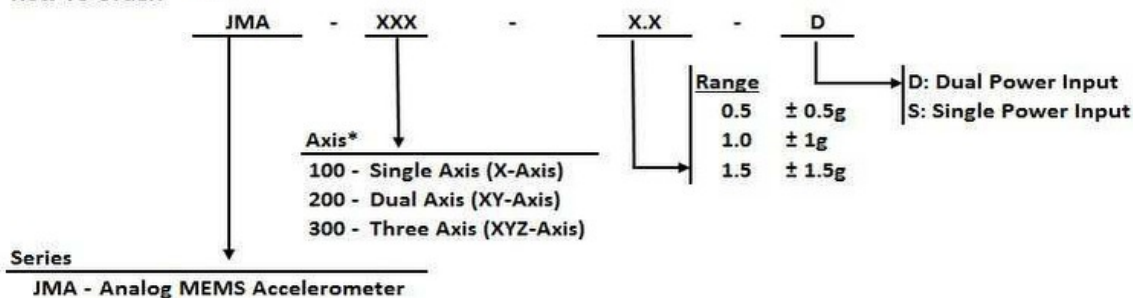
ELECTRICAL AND ENVIRONMENTAL

Number of Axes	1, 2 or 3
Input Voltage Range (VDC)	12 to 30
Input Current (mA max)	28
Output Noise (grms max)	0.01
Output Impedance (Ohms nom)	1
Operating Temp. Range (°C)	-40 to +85
Storage Temp. Range (°C)	-40 to +95
Shock	100 g, 0.011 sec, ½ sine
Weight (grams)	165 (1 axis), 170 (2 axes), 180 (3 axes)
Seal	IP65

Notes: 1 - Custom ranges available on request.

Order code

How To Order:



Example: JMA-100-0.5-L = JMA series, single axis, ±0.5g range, dual power input

***Call factory for customized axis configurations**

Single Axis Part	Dual Axis Part Numbers	Triple Axis Part Numbers
JMA-100-0.5-L	JMA-200-0.5-L	JMA-300-0.5-L
JMA-100-1.0-L	JMA-200-1.0-L	JMA-300-1.0-L
JMA-100-1.5-L	JMA-200-1.5-L	JMA-300-1.5-L



g JMA-100/200/300-S

Description

The JMA-100/200/300 series is available in single (JMA-100), dual (JMA-200) and triple (JMA-300) axis configurations. This presents a robust and rugged design for industrial use, but with the benefit of low-cost MEMS technology.



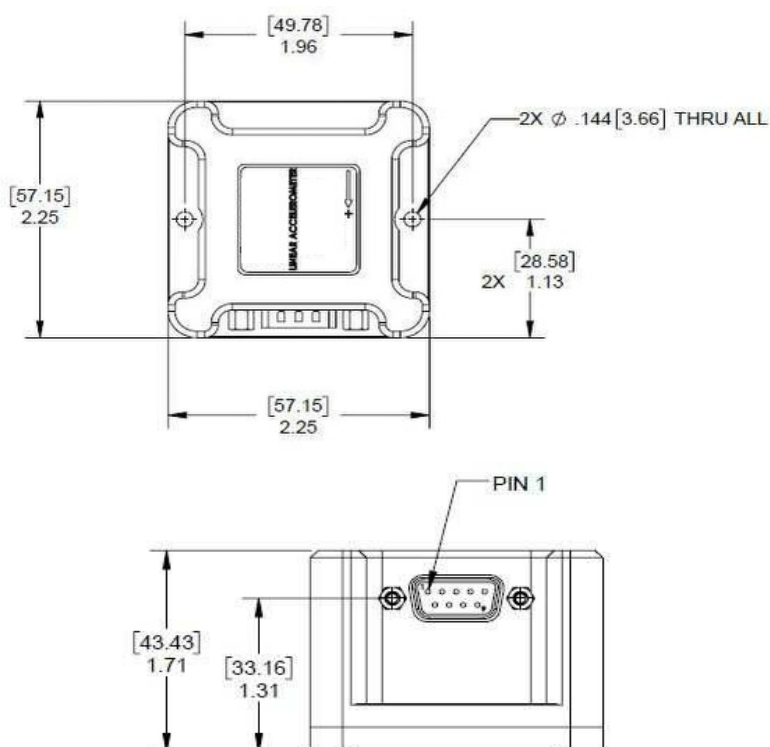
Features

- ± 0.5 g, ± 1.0 g and ± 1.5 g ranges
- Robust and Rugged Enclosure
- Single, Dual and Tri-Axis Models Available
- Low-Cost MEMS Technology
- RoHS Compliant
- Filtering Available
- Single Power Input
- 0-5 VDC Output
- Temperature Sensor Option Available
- IP65 Seal

Applications

- Vehicle Testing
- Railway Maintenance & Testing
- Acceleration/Deceleration Control
- Aerospace/Space Craft Testing
- Lateral Train Control

Outline Diagram



Pin Out

Pin #	Function
1	+Vin
2	Pwr Gnd
3	N/C
4	X Out
5	Y Out
6	Z Out
7	Sig Rtn
8	Temp Out
9	N/C

Performance Specifications

STATIC/DYNAMIC

Measurement Range ¹ (g)	±0.5	±1	±1.5
Output Voltage Range (VDC)	0-5	0-5	0-5
Scale Factor Tolerance (mg)	±5	±10	±15
Scale Factor Temp. Coefficient (PPM/°C max)	150	150	150
Bias (g max)	±0.01	±0.01	±0.02
Bias Temp. Sensitivity (mg/°C max)	1	0.5	0.5
Transverse Axis Misalignment (° max)	±0.5	±0.5	±0.5
Resolution and Threshold (mg max)	0.04	0.04	0.04
Non-linearity (% FRO max)	0.05	0.05	0.08
Nonrepeatability, Hysteresis (mg max)	0.07	0.07	0.07
Bandwidth (Hz nom) (-3 dB)	100	100	100
Cross Axis Sensitivity (g/g max)	0.01	0.005	0.005
Warm Up Time (Seconds max)	0.05	0.05	0.05

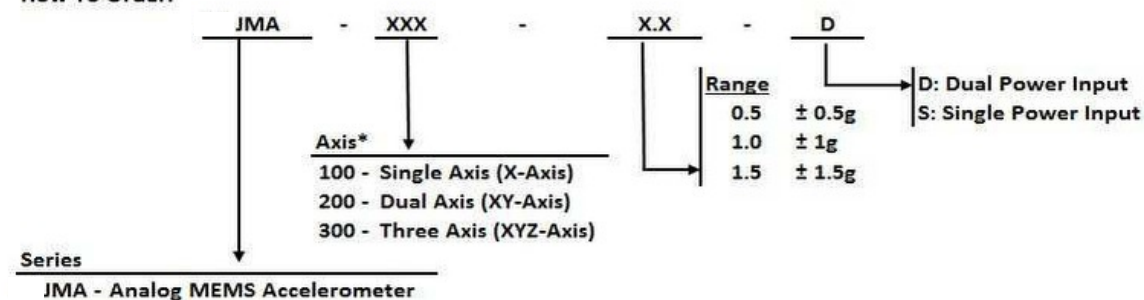
ELECTRICAL AND ENVIRONMENTAL

Number of Axes	1, 2 or 3
Input Voltage Range (VDC)	12 to 30
Input Current (mA max)	7
Output Noise (grms max)	0.005
Output Impedance (Ohms nom)	1
Operating Temp. Range (°C)	-40 to +85
Storage Temp. Range (°C)	-40 to +95
Shock	100 g, 0.011 sec, ½ sine
Weight (grams)	165 (1 axis), 170 (2 axes), 180 (3 axes)
Seal	IP65

Notes: 1 - Custom ranges available on request.

Order code

How To Order:



Example: JMA-100-0.5-D = JMA series, single axis, ±0.5g range, dual power input

***Call factory for customized axis configurations**

Single Axis Part	Dual Axis Part Numbers	Triple Axis Part Numbers
JMA-100-0.5-S	JMA-200-0.5-S	JMA-300-0.5-S
JMA-100-1.0-S	JMA-200-1.0-S	JMA-300-1.0-S
JMA-100-1.5-S	JMA-200-1.5-S	JMA-300-1.5-S

The information provided herein is to the best of our knowledge true and accurate, it is provided for guidance only. All specifications are subject to change without prior notification.

Althen – Your expert partner in Sensors & Controls | althensensors.com

Althen stands for pioneering measurement and custom sensor solutions. In addition we offer services such as calibration, design & engineering, training and renting of measurement equipment.

Germany / Austria / Switzerland
info@althen.de

Benelux
sales@althen.nl

France
info@althensensors.fr

Sweden
info@althensensors.se

USA / Canada
info@althensensors.com

Other countries
info@althensensors.com