



## K12 Series

### FEATURES

- Advanced ergonomic design
- Comfortable and durable operation grip
- Multiple pushbutton or rocker switch or thumbwheel combinations
- Multiple installation modes are available

### APPLICATIONS

- Agricultural machinery
- Joystick controller
- Control panel
- Armrest box



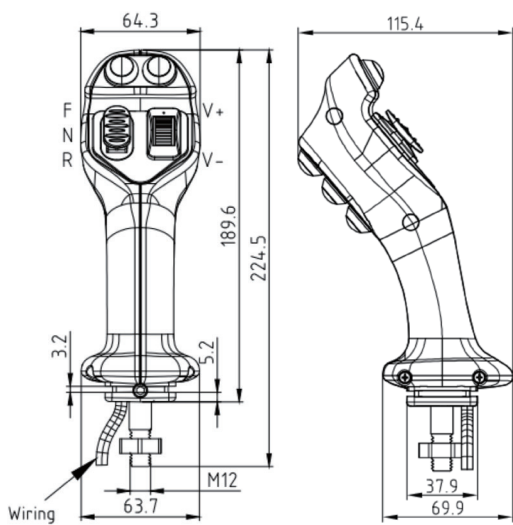
### SPECIFICATIONS

Mechanical data	
Pushbutton operating force	Appr.2N
Pushbutton operation mode	Spring return
FNR operation mode	Start, three gear self hold
Thumbwheel operation mode	Spring return
Product weight	Appr.330g
Electrical data	
Thumbwheel (MTW10)	
Supply Voltage (Vs)	5.0±0.5Vdc or 9-32Vdc
Power current consumption	11mA(per channel)
Center Voltage	2.5V±4%Vs
Maximum output linearity tolerance	±3%
Maximum overload voltage	20Vdc
Maximum reverse voltage	-10Vdc
Load resistance	10KΩ
Thumbwheel electrical lifetime	3 million cycles
Pushbutton	
Button load capacity	2A@36Vdc
Button insulation resistance	≥1000MΩ
Pushbutton electrical lifetime	1 million cycles (200mA@5Vdc)
FNR switch (C4)	
Supply Voltage (Vs)	≤DC42V

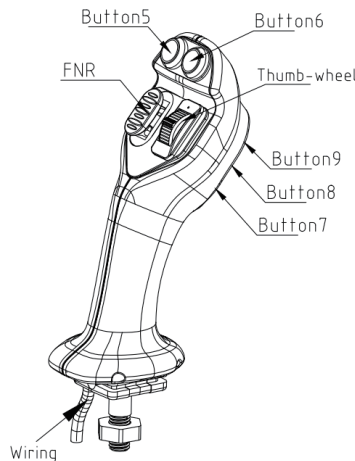
**SPECIFICATIONS (CONTINUED)**

Power current consumption	2A (DC12V) or 1A (DC24V) or 0.5A (DC42V)
FNR electrical lifetime	1 million cycles (200mA@5Vdc)
<b>Environmental data</b>	
Operating temperature	-25°C~+55°C
Storage temperature	-40°C~+85°C
Protection class	IP ratings may vary from model to model, for more information, please consult our sales staff

**OUTLINE DIMENSIONS (UNIT:mm)**

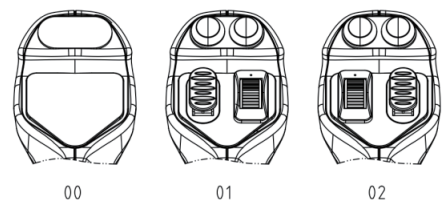


Dimensions

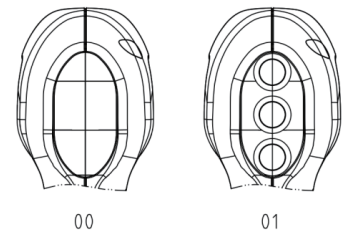


Dimensions

Front panel diagram

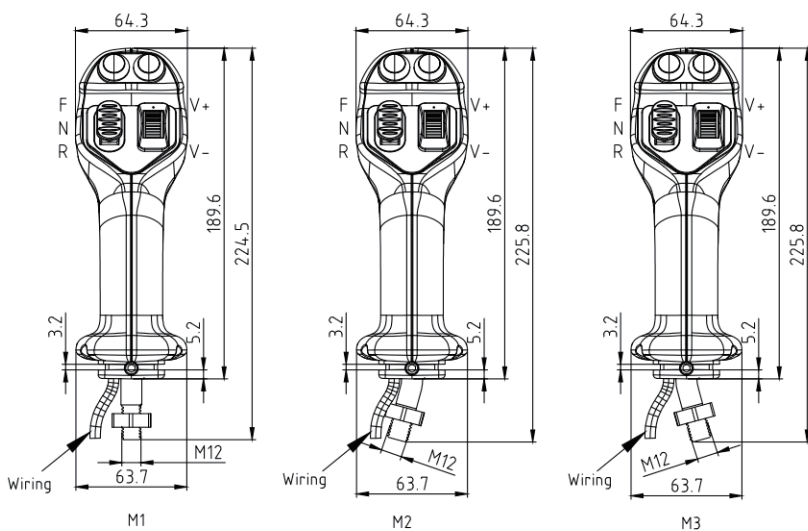


Back panel diagram

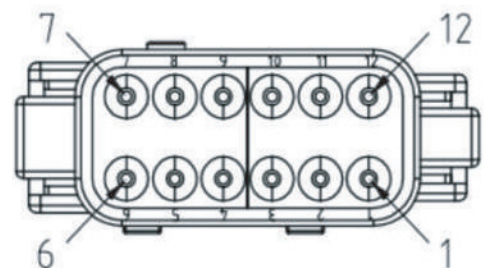


Panel selection diagram

**MECHANICAL INSTALLATIONS**



Mounting diagram



Connector: DTM06-12SA,  
Recommended connector model: DTM04-12PA

**ORDER GUIDE**

K12		Multi-function Grip			
		<b>Code</b>	<b>Front Plate Options</b>		
		00	Non-function		
		01	1 FNR rocker switch on the left+ 1 thumbwheel on the right+2 buttons on the top		
		02	1 thumbwheel on the left+ 1FNR rocker switch on the right+2 buttons on the top		
		03	Front plate 1FNR rocker switch on the left + 1 thumbwheel on the right+2 buttons on the top+1 buttons on the bottom		
		04	Front plate 1thumbwheel on the left + 1 FNR rocker switch on the right+2 buttons on the top+1 buttons on the bottom		
		05	4 buttons on the front plate+2 buttons on the top		
			<b>Code</b>	<b>Back Plate Options</b>	
			00	Non-function	
			01	3 buttons	
			02	1 button on the bottom	
			<b>Code</b>	<b>Adaptor</b>	
			M1	M12×1.75, screw thread outside, vertical installation	
			M2	M12×1.75, screw thread outside, left-hand installation	
			M3	M12×1.75, screw thread outside, right-hand installation	
			<b>Code</b>	<b>Wiring</b>	
			L	Cable wiring, length 500mm (Default)	
			D	Deutsch connector, length 500mm (DTM04-12PA)	
<b>K12</b>	<b>01</b>	<b>01</b>	<b>M1</b>	<b>L</b>	<b>Complete Type Specification</b>

The information provided herein is to the best of our knowledge true and accurate, it is provided for guidance only. All specifications are subject to change without prior notification.

**Althen is the innovative joystick expert that creates integrated joystick and measurement solutions for the creators of tomorrow | [althencontrols.com](http://althencontrols.com)**

In addition we offer services such as calibration, repairs, design & engineering, training and renting of measurement equipment.