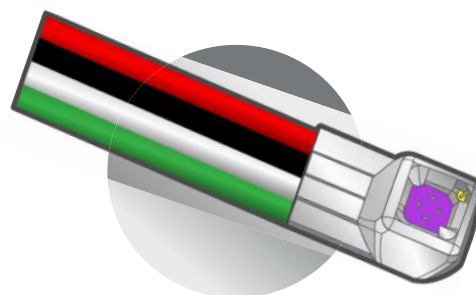


bar MP-1.25 ULTRA MINIATURE FLAT PRESSURE SENSOR
1,25 mm up to 185C°

Ultra small pressure sensor for harsh environment High Temperature - Flat

SENSORADE
Miniaturized aerodynamic flow measurement



FEATURES

- L x W: 2.45mm x 1.25mm
- From 2 to 7 bar Absolute pressure sensor
- Burst pressure 7 bar
- Wide temperature range up to 185C°
- Harsh environment
- Customized solution possible
- mVolt output
- Highest resonance frequency on the market
- Amplification can be done for a special request

MODEL DEFINITION / 185C°

WOT: without tube is the standard product

YYY: pressure range in bar (002, 004, 007) Or in PSI (030, 060, 100)

A: absolute pressure measurement

HT: high temperature up to 185C°

FLAT: flat shape

APPLICATIONS

- Instrumentation (ie: Automotive, ...)
- Aerodynamic testing (ie: wind tunnel)
- Industrial process monitoring
- Pumps
- Biomedical
- Oil and gas

RESONANCE FREQUENCY

- Highest resonance frequency of 2.7 MHz of the market
- The tests have been done on a Polytec MSA-500 using Scanning Laser-Doppler vibrometry

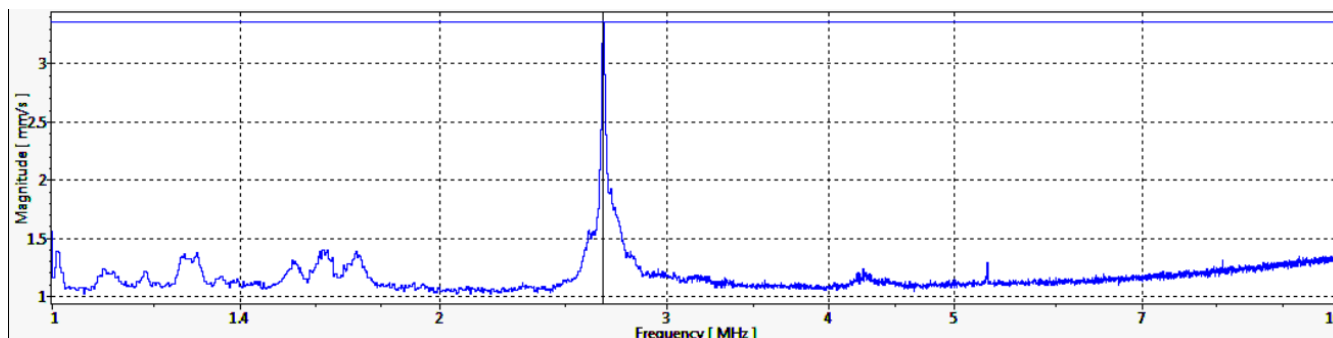


Figure 1: Result for the 30 PSI MEMS absolute pressure sensors



SPECIFICATIONS

PART NUMBER	MP-1.25-WOT-YYY-A-HT-FLAT
L x W	2.45 mm x 1.25 mm
Pressure range ¹	0-2 bar, 0-4 bar, 0-7 bar, 0-30 psi, 0-60 psi, 0-100 psi
Max nominal pressure	2 bar, 4 bar, 7 bar, 30 psi, 60 psi, 100 psi
Proof pressure ¹	3* nominal
Burst pressure ¹	5* nominal
Bridge resistance	6.2 kΩ typical / (5-7 kΩ)
Vout span ⁴	100 mV typical / (65-135mV)
Excitation voltage	5V
Tmax ²	185 Celsius (HT)
Accuracy ³	0.25% @ FS
Signal amplification	None

REMARK

- All sensors are provided with a control sheet given pressure level versus mVolt @ 25 C° under a supply voltage of 5 Volt.
- Temperature measurement/compensation available.

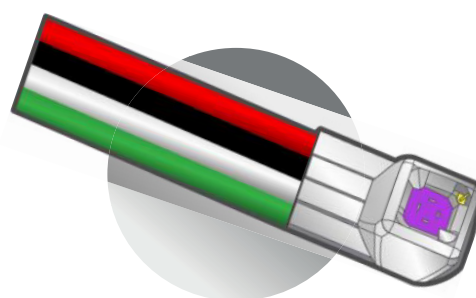
1. Absolute pressure
2. TMCL qualification tests - JEDEC JESD22-A104 « temperature cycling » @ Tmax
3. Accuracy @25 Celsius
4. Amplification can be done for a special request

bar MP-1.25 ULTRA MINIATURE FLAT PRESSURE SENSOR
1,25 mm up to 100C°

Ultra small pressure sensor for harsh environment Standard Temperature - Flat

FEATURES

- L x W: 2.45mm x 1.25mm
- From 2 to 7 bar Absolute pressure sensor
- Burst pressure 7 bar
- Wide temperature range up to 100C°
- Harsh environment
- Customized solution possible
- mVolt output
- Highest resonance frequency on the market
- Amplification can be done for a special request



MODEL DEFINITION / 100C°

- WOT: without tube is the standard product
- YYY: pressure range in bar (002, 004, 007)
- A: absolute pressure measurement
- ST: standard temperature up to 100C°
- FLAT: flat shape

APPLICATIONS

- Instrumentation (ie: Automotive, ...)
- Aerodynamic testing (ie: wind tunnel)
- Industrial process monitoring
- Pumps
- Biomedical
- Oil and gas

RESONANCE FREQUENCY

- Highest resonance frequency of 2.7 MHz of the market
- The tests have been done on a Polytec MSA-500 using Scanning Laser-Doppler vibrometry

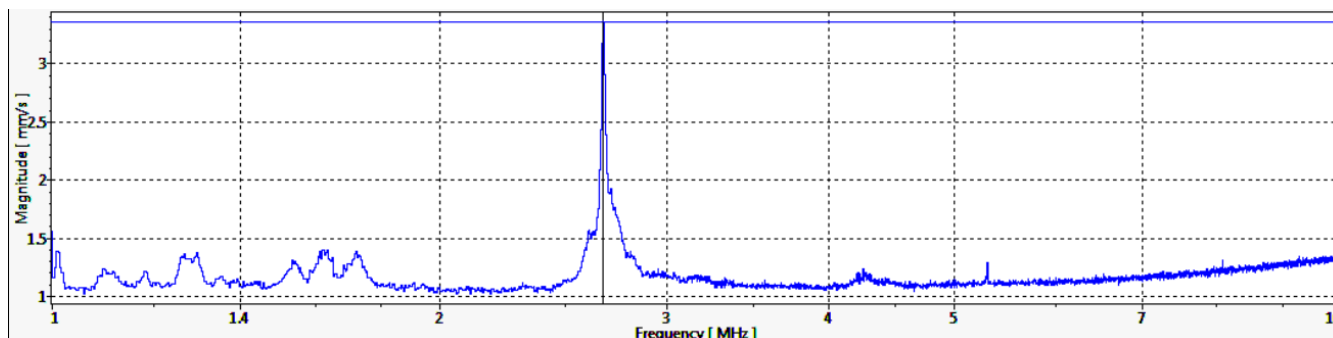


Figure 1: Result for the 30 PSI MEMS absolute pressure sensors



SPECIFICATIONS

PART NUMBER	MP-1.25-WOT-YYY-A-ST-FLAT
L x W	2.45 mm x 1.25 mm
Pressure range ¹	0-2 bar, 0-4 bar, 0-7 bar, 0-30 psi, 0-60 psi, 0-100 psi
Max nominal pressure	2 bar, 4 bar, 7 bar, 30 psi, 60 psi, 100 psi
Proof pressure ¹	3* nominal
Burst pressure ¹	5* nominal
Bridge resistance	6.2 kΩ typical / (5-7 kΩ)
Vout span ⁴	100 mV typical / (65-135mV)
Excitation voltage	5V
Tmax ²	100 Celsius
Accuracy ³	0.25% @ FS
Signal amplification	None

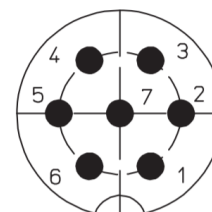
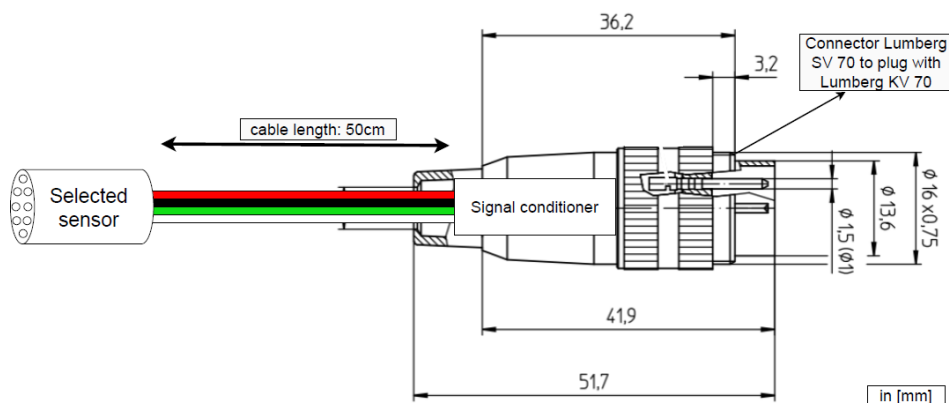
REMARK

- All sensors are provided with a control sheet given pressure level versus mVolt @ 25 C° under a supply voltage of 5 Volt.
- Temperature measurement/compensation available.

1. Absolute pressure
2. TMCL qualification tests - JEDEC JESD22-A104 « temperature cycling » @ Tmax
3. Accuracy @25 Celsius
4. Amplification can be done for a special request

bar SC-MP-4-XX
Signal conditioner

SENSORADE
Miniaturized aerodynamic flow measurement



Pin configuration	
Pin	Function
Casing S	shield
1	Vout+
2	GND
3	GND
4	Vin+
5	NC
6	NC
7	NC

SC-MP-4-XX

SC: Signal conditioners
MP: Miniaturized pressure
24: Maximum input voltage in volt
XX: Maximum output voltage in volt (05, 10)

OVERVIEW

- Can be used with our sensor
- Power supply up to 24V
- Output signal up to

SPECIFICATIONS

Characteristics	Electrical characteristics	
PART Number	SC_MP_24_05	SC_MP_24_10
Supply Voltage	8-24 VDC	12-24 VDC
Output Voltage	0-5 VDC	0-10 VDC
Bandwidth	0-200 kHz	0-200 kHz
Operating temperature	85 °C	85 °C
Maximum current	5mA	5mA
Output impedance (1KHz)	200Ω	200Ω