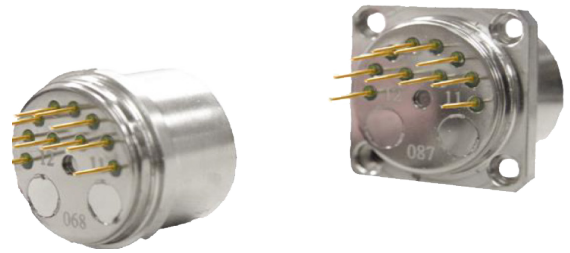




9 QFA-180-30G-LC SERIES
Low Input Current Quartz Flexure Accelerometer

QFA-180-30G-LC Series Accelerometers are state of the art quartz flexure technology that provides high accuracy, repeatability and stability even in the harshest of environments.



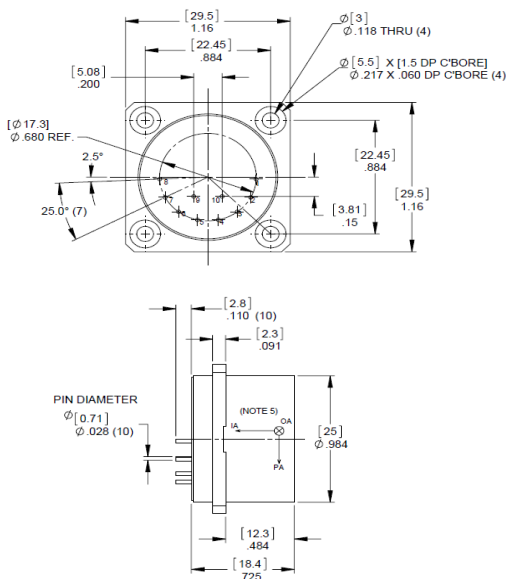
FEATURES & BENEFITS

- High Temperature
- Excellent Repeatability
- High Accuracy
- Environmentally Rugged
- High Stability
- Square or Round Mounting Flanges
- Small Compact Design
- Built-in Self Test System

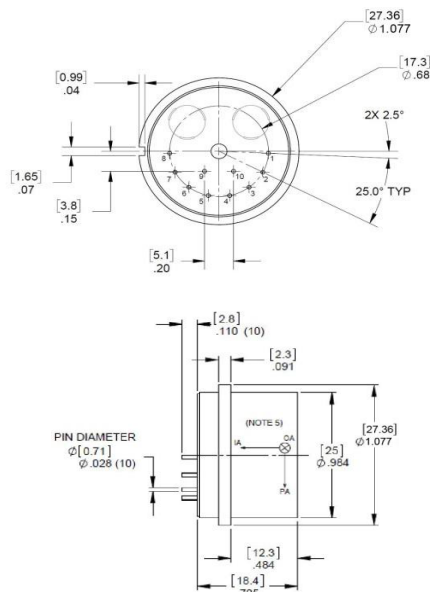
APPLICATIONS

- Well borehole logging (Wireline)
- Measure While Drilling (MWD)
- Oil Drilling
- Orientation Systems for Drilling Applications
- Borehole Mapping

SQUARE FLANGE - OUTLINE DRAWING

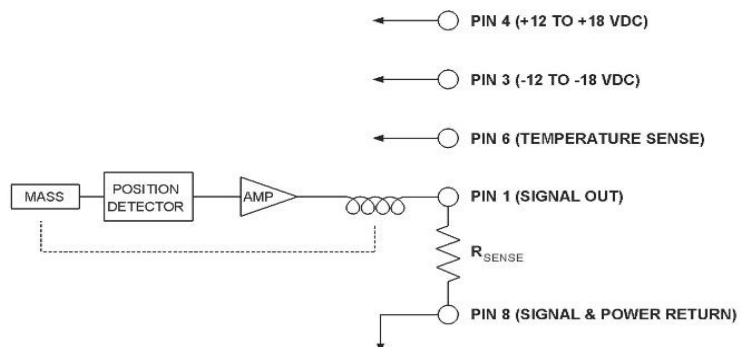


CIRCLE FLANGE - OUTLINE DRAWING



Note 5: IA = Input Axis (sense), OA = Output Axis (hinge), PA = Pendulum Axis

PIN CONNECTIONS





PERFORMANCE SPECIFICATIONS

Performance

Acceleration Range, g Max. (Note 1)	±30
Scale Factor, mA/g (Note 2)	1.1 to 1.4
Bias, milli-g, Max. (@ 25° C)	10
Axis Alignment, mRad, Max. (@ 25° C)	1.5
Threshold and Resolution, µg, Max.	10
Bandwidth, Hz, Min.	300
Scale Factor Temp. Sens, PPM/°C, Max.:	
+25°C to +100°C	±100
+100°C to +180°C	±170
Bias Temp. Sens, µg/°C, Max.	±50
Scale Factor Stability (1 month composite)	less than 250 ppm
Bias Stability (1 month composite)	less than 250 µg
Noise, mgrms, Max. (0Hz to 10kHz) (Max.)	3
Weight (grams)	55

Electrical

Input Voltage, Vdc	±12 to ±18
Input Current, mA	+/-13mA max @ +/-18Vdc input +/- 10mA nominal @ +/-15Vdc input +/- 8mA nominal @ +/-12Vdc input
Output Impedance, ohms	External Load Resistor Dependent

Environmental

Operational Temp Range, °C	-55°C to +180°C
Vibration, (Sine)	25 Hz to 500 Hz, 25g
Vibration, (Random) Rectification, µg/g ² rms	50 Hz to 500 Hz, 100 µg/g ² rms
Shock, g (0.5 msec, 1/2 sine)	1000

*Specifications subject to change without notice on account of continued product development

Note 1: Specifications apply and are characterized up to ±1g range. The accelerometer is capable of supplying acceleration information up to ±30g but at reduced accuracy.

Note 2: Scale factor shown in mA/g as a standard. If you require scale factor in volts/g, please specify voltage range when ordering

Note 3: Voltage output via customer supplied load resistor.

HOW TO ORDER

Model #	Part #	Accelerometers exported from the United States must be done in accordance with the Export Administration Regulations (EAR) and/or the International Traffic in Arms Regulations (ITAR) as applicable.
QFA-180-30G-SQ-LC	848198-002	
QFA-180-30G-RD-LC	848199-002	