



mm FD96 digital

Description

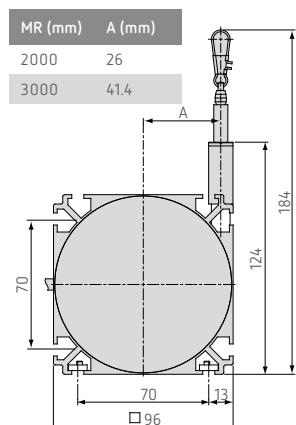
- Robust aluminium profile housing
- Incremental/absolute encoder



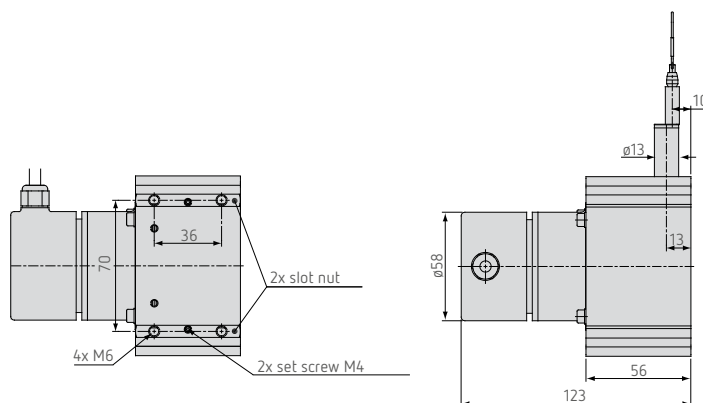
Draw wire sensors of the FD96 Series are designed for general use. Numerous options enable a suitable sensor to be selected for almost any application. Various measuring ranges and digital output types facilitate fast integration for many application areas.

Outline drawing

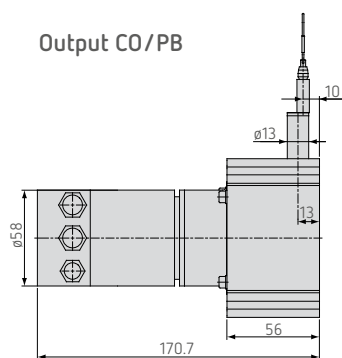
FD96



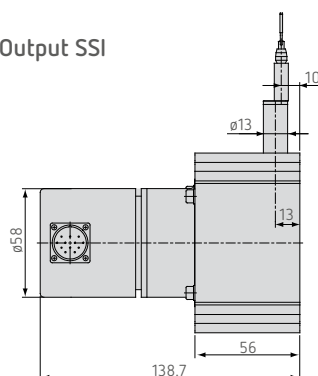
Output HTL/TTL



Output C0/PB



Output SSI



Technical data

Model		FD96-3000
Output		HTL/ TTL/ SSI/ PB/ CO
Measuring range		3000mm
Linearity	±0.02% FSO	±0.6mm
Resolution	HTL, TTL	0.087mm (11.53 pulses/mm)
Resolution	SSI, PB, CO	0.032mm
Sensor element		Incremental/absolute encoder
Temperature range		-20 ... +80°C
Material	housing	aluminium
	draw wire	coated polyamid stainless steel (ø 0.8mm)
Sensor mounting		slot nuts
Wire mounting		wire clip
Wire acceleration		7g
Wire retraction force (min)		5.5N
Wire extension force (max)		9N
Protection class		IP 65 (only if connected)
Vibration		20g, 20Hz - 2kHz
Mechanical shock		50g, 10ms
Electrical connection	HTL, TTL	integrated cable, radial, 1m long
	SSI	flange connector, radial, 12-pin
	PB, CO	bus cover
Weight		appr. 1.7kg

FSO = Full Scale Output

Ordering code

FD96 - 3000 - CR - TTL

Output option:
HTL
TTL
CO: CANopen
PB: Profibus DP
DP SSI

Connection:
SR (Output SSI): radial plug
CR (Output HTL, TTL): integrated cable, radial, 1m
BH (Output CO, PB): bus cover

Measuring range in mm

Model FD96