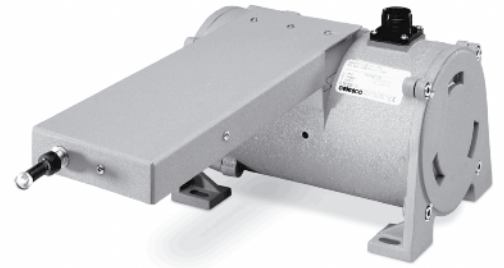




mm RBS9000

Description

- All PT9000 and PT9000 Extended Range Series
- Aluminum or Stainless Steel Enclosures
- Ranges: 0–75 to 0–1700 inches



RBS option:

- offers extra protection against extraordinarily dirty environments
- reduces the cable-exit opening down to a single point to prevent excess debris from entering the spool cavity
- uses two sets of cable brushes to help clean the measuring cable before it is retracted into the enclosure

Designed for extreme applications where exceptional amounts of dirt, spray or some other foreign matter may enter through the standard PT9000 'slot opening' and interfere with the cable reel mechanism.

The RBS9000 reduces the cable opening down to a single-point exit to block most debris from entering the cable-reel area. Because some debris may get drawn into the transducer by the measuring cable upon retraction, we've taken two measures to help reduce that:

First, each RBS9000 is constructed using our nylon-coated measuring cable which has a smooth layer of protection that helps keep debris from clinging to it.

Second, the measuring cable passes through two integral brushes which help wipe away any matter that may be clinging to it.

Ordering information



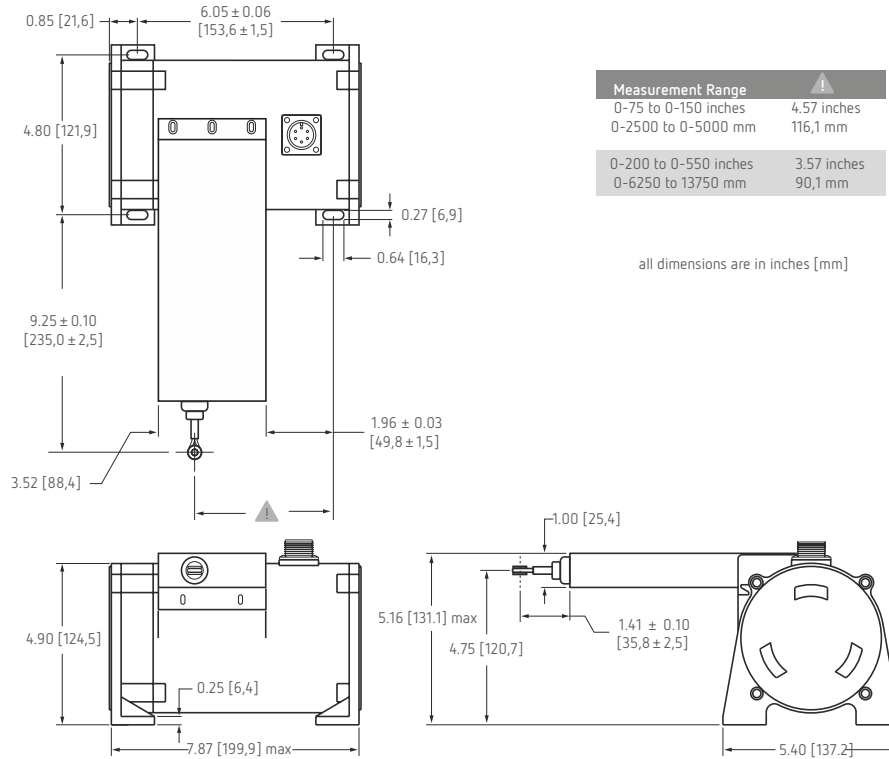
creating RBS model number (example):

PT9101-0600-111-1110	select PT9000 model
PT 9101-0600-111-1110 FDRBS	remove "PT"
+ 9101-0600-111-1110	add "RBS"
RBS9101-0600-111-1110	completed model number

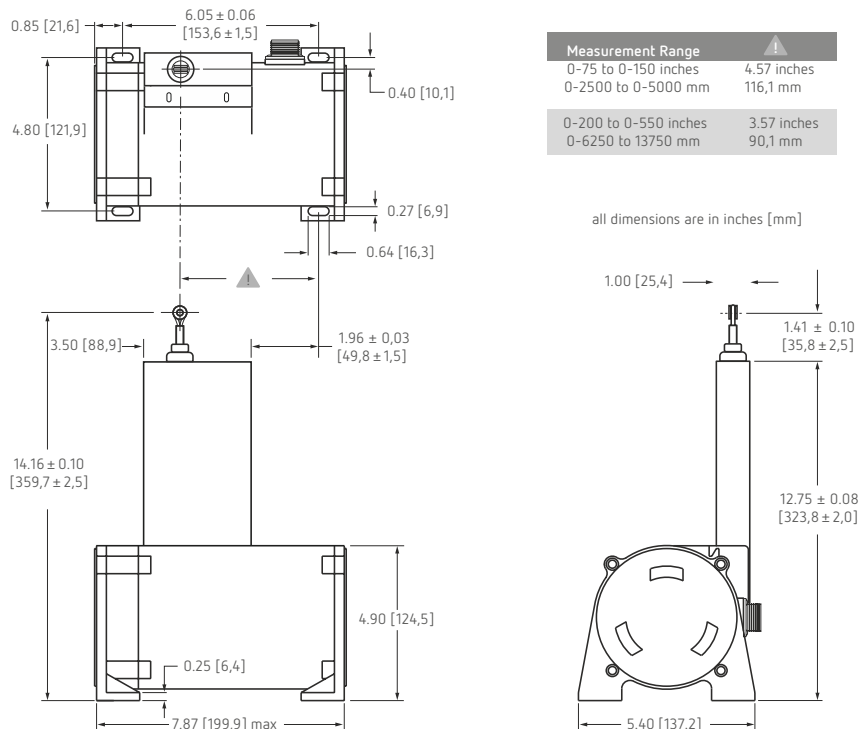
Important –RBS option only available with nylon-coated measuring cable

■ Front Cable Exit Option

Note – Dimensions NOT valid for Increased Cable Tension Option and Extended-Range Series, Please Consult

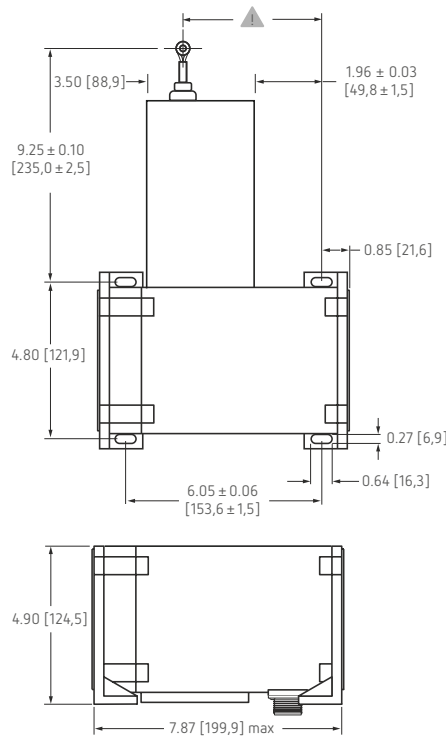


■ Top Cable Exit Option



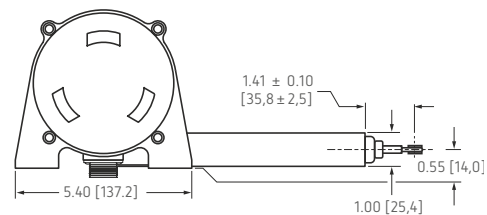
Rear Cable Exit Option

Note – Dimensions NOT valid for Increased Cable Tension Option or Extended-Range Series, Please Consult

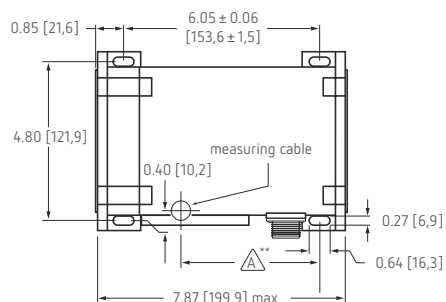


Measurement Range	
0-75 to 0-150 inches	4.57 inches
0-2500 to 0-5000 mm	116,1 mm
0-200 to 0-550 inches	3.57 inches
0-6250 to 13750 mm	90,1 mm

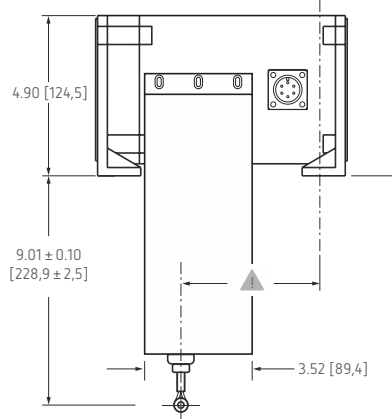
all dimensions are in inches [mm]



Bottom Cable Exit



**Note: see "A" dimension on PT9000 outline



Measurement Range	
0-75 to 0-150 inches	4.57 inches
0-2500 to 0-5000 mm	116,1 mm
0-200 to 0-550 inches	3.57 inches
0-6250 to 13750 mm	90,1 mm

all dimensions are in inches [mm]

