



mm SP3

Description

- Linear Position to 50 inches (1270 mm)
- User Selectable Output: 4–20 mA or 0–10Vdc 40-in.
- Electrical Cable • Free-Release Tolerant
- In Stock for Quick Delivery!



The SP3 is a compact, economical stringpot that provides a user selectable 4-20 mA or 0-10 Vdc output signal. Simply install this sensor using the handy mounting bracket and connect the appropriate wires for the desired output.

The SP3 is constructed with a rugged, water resistant poly- carbonate body that has been compactly designed for tight spaces and generous measuring cable misalignment. With 4 different ranges, the SP3 is a perfect solution for many applications from light industrial to OEM. Just like all of our other SP and SE models, the SP3 is in stock ready to ship.

COMPLETE SPECIFICATIONS

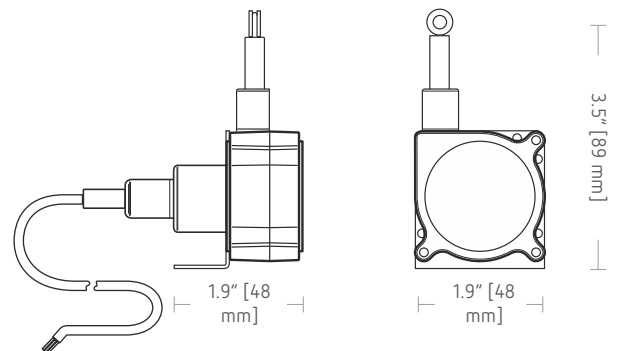
Full Stroke Range Options	0-4.75, 0-12.5, 0-25, 0-50 inches
User Selectable Output Signal	4...20 mA (2-wire) / 0...10 Vdc
Input Voltage, 4...20 mA option	8-40 VDC
Input Voltage, 0...10 Vdc option	12-32 VDC
Accuracy	±0.25 to ±1.00% (see part no. above)
Repeatability	± 0.05% full stroke
Resolution	essentially infinite
Measuring Cable	0.019-in. dia. nylon-coated stainless steel
Measuring Cable Tension	7 oz. (1,9 N) ±25%
Maximum Cable Acceleration	15 g
Enclosure Material	polycarbonate
Sensor	plastic-hybrid precision potentiometer
Electrical Connection	40-inch long, 24 gauge shielded electrical cable
Weight	5 oz. (w/o mounting bracket) max.

ENVIRONMENTAL

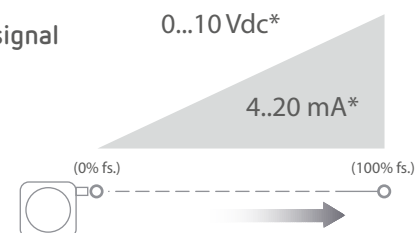
Enclosure	IP 50
Operating Temperature	0° to 160°F (-18° to 71°C)
Vibration	up to 10 g to 2000 Hz maximum

Ordering information

	Part No.	full stroke range	accuracy (% of F.S.)	cycle life
	SP3-4	4.75 in (120 mm)	1.00%	2.5M cycles
	SP3-12	12.5 in (317 mm)	0.25%	500K cycles
	SP3-25	25 in (635 mm)	0.25%	500K cycles
	SP3-50	50 in (1270 mm)	0.25%	250K cycles



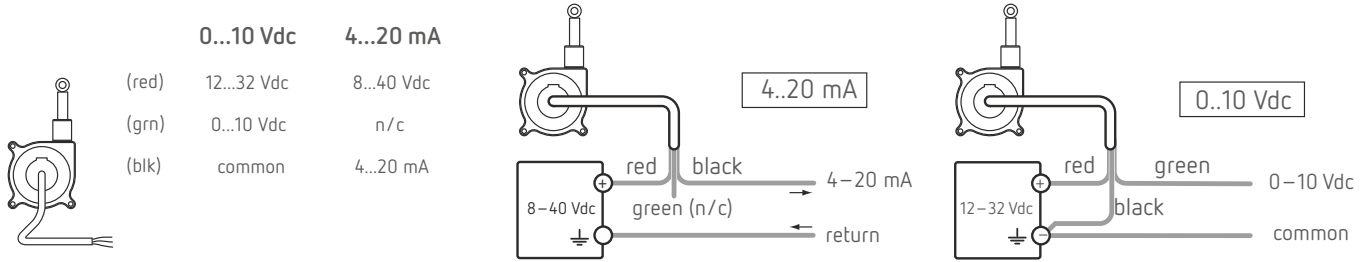
Output signal



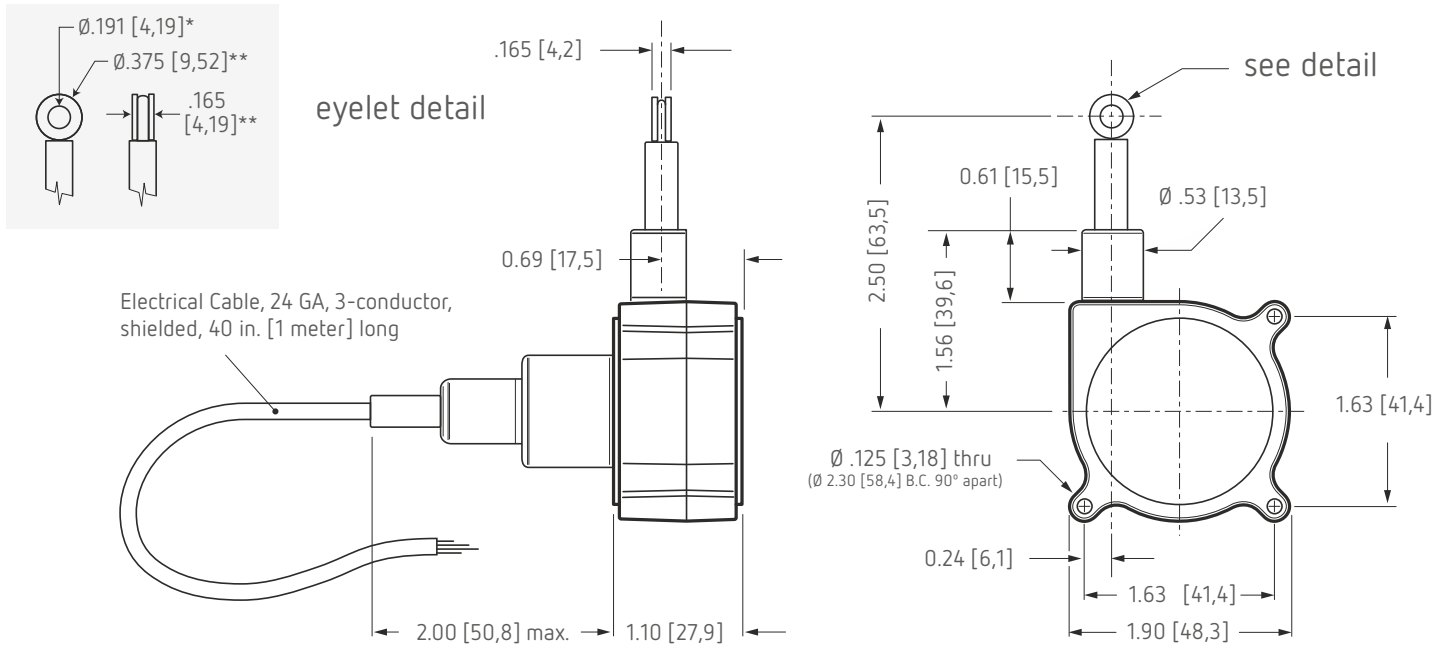
*note: output signal endpoint tolerance

Output Signal	0% fs.	100% fs.
4...20 mA	4 – 4.25 mA	19.2 – 20 mA
0...10 Vdc	0 – .2 Vdc	9.5 – 10 Vdc

Electrical Connection



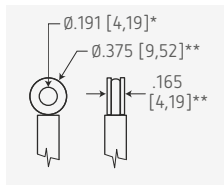
Outline Drawing (w/o bracket)



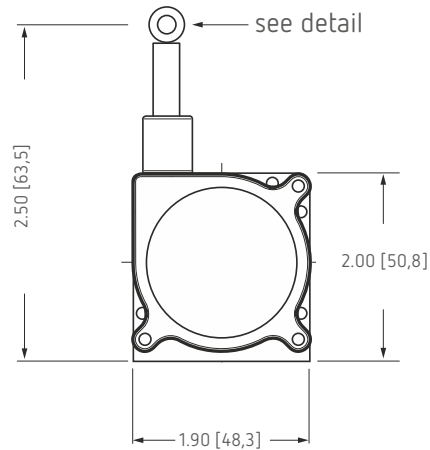
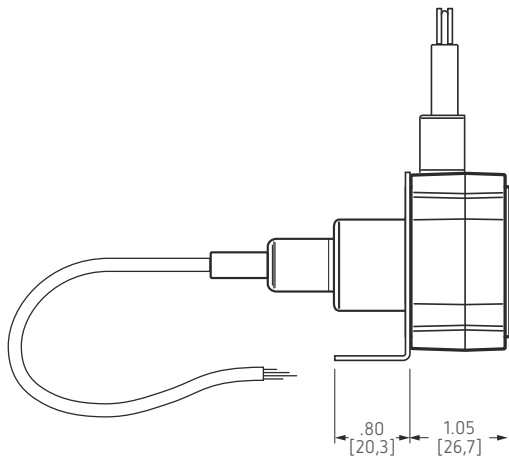
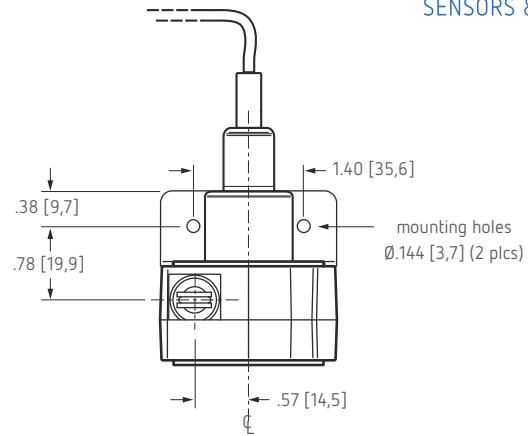
DIMENSIONS ARE IN INCHES [MM]
tolerances are 0.04 IN. [1,0 MM] unless otherwise noted.

* tolerance = +.005 - .001 [+0,1 - 0,0]
** tolerance = +.005 - .005 [+0,1 - 0,1]

Outline Drawing (with bracket)



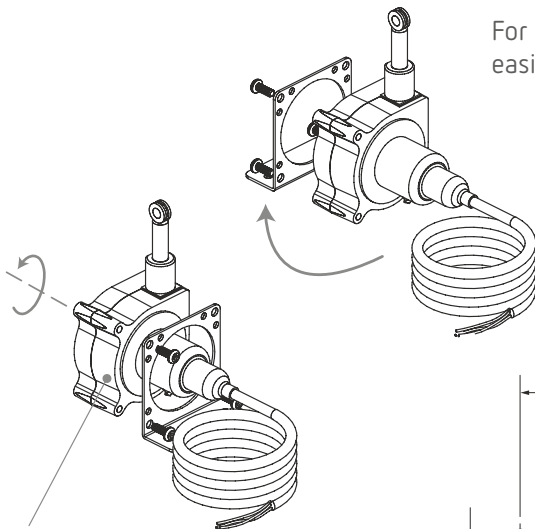
eyelet detail



DIMENSIONS ARE IN INCHES [MM]
tolerances are 0.04 IN. [1,0 MM] unless otherwise noted.

* tolerance = +.005 - .001 [+0,1 - 0,0]
** tolerance = +.005 - .005 [+0,1 - 0,1]

For added flexibility, mounting bracket can easily be switched to the opposite side.



To change measuring cable direction simply remove the 3 bracket attaching screws and rotate sensor body to

